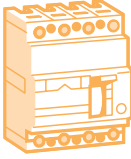


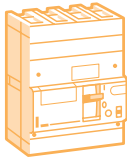
MCCBs: DPX™

The compact range of DPX MCCBs are available in just 6 frame sizes. These MCCBs are available with thermal magnetic or microprocessor based electronic releases. Apart from this they come in various mounting options, optional remote controls and can also be used as automatic transfer switches. In DPX MCCBs, Line and Load can be interchanged

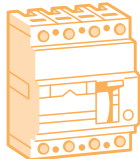
Choice




DPX 125
Current rating from 16 to 125 A
Breaking capacity from 16 to 36 kA
Thermal magnetic release



DPX 160
Current rating 160 Amp
Breaking capacity 36 kA & 50 kA
Thermal magnetic release

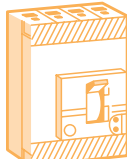


DPX 250 ER
Current rating from 100 to 250 A
Breaking capacity 36kA and 50 kA
Thermal magnetic release



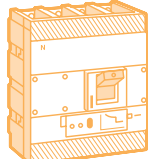
DPX 250
Current rating from 25 to 250 A
Breaking capacity from 36 to 100 kA
Thermal magnetic release

DPX 250 Electronic
Current rating from 40 to 250 A
Breaking capacity 70 kA
Electronic release



DPX 630
Current rating from 400 to 630 A
Breaking capacity from 36 to 100 kA
Thermal magnetic release

DPX 630 Electronic
Current rating from 160 to 630 A
Breaking capacity from 36 to 70 kA
Electronic release

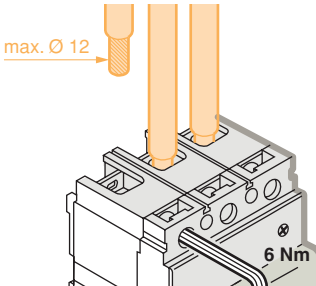


DPX 1250
Current rating from 500 to 1250 A
Breaking capacity from 50 to 100 kA
Thermal magnetic release

DPX 1600 Electronic
Current rating from 630 to 1600 A
Breaking capacity from 50 to 70 kA
Electronic release

Connection (2 options)
Via front terminals
Connect directly on plate
(bar or cable with lug)
or via cage terminal (cables)
or on a base
(for plug-in or draw-out versions)

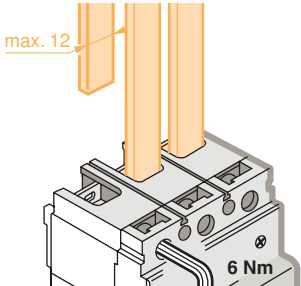
Connection via cables



max. Ø 12

6 Nm

Connection via bars

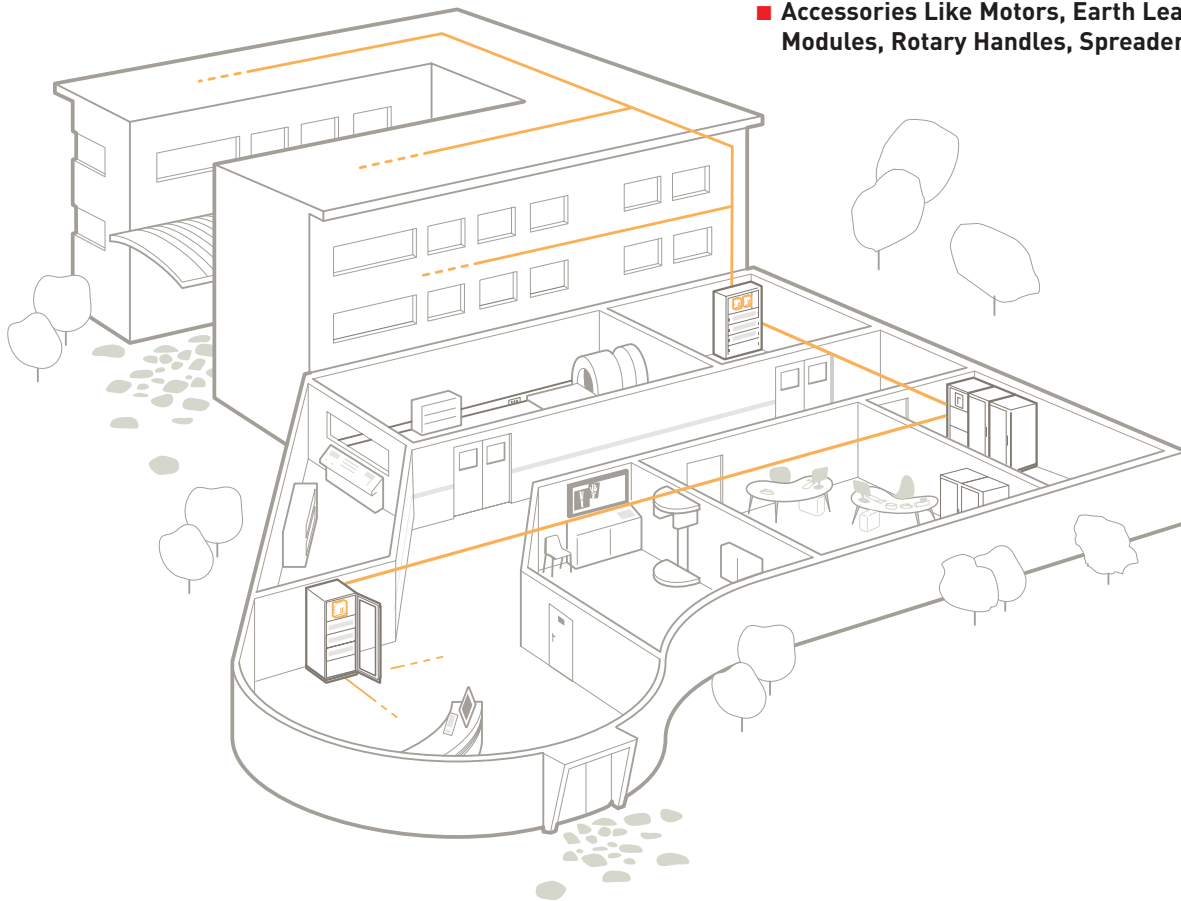


max. 12

6 Nm

Advantages of the systems

- **6 Breaking Capacities**
16, 25, 36, 50, 70 & 100 kA
- **6 Frame sizes**
DPX 125, 160, 250 ER, 250, 630 & 1250/1600.
- **Current Ratings from 16-1600 A**
- **Thermal Magnetic & Microprocessor range.**
- **Common Auxillaries**
- **Accessories Like Motors, Earth Leakage Modules, Rotary Handles, Spreader links.**



Mounting, Control and connection accessories

MOUNTING ACCESSORIES

- **Rear terminals**
(against order only)



- **Terminal shields**
(against order only)



- **Flat rear terminals**
(against order only)



- **Spreader links**
(against order only)



- **Din Rail Adaptor**
(for DPX 125, 160 & 250 ER)a



CONTROL ACCESSORIES

- **Earth leakage modules**
 - Can be fitted side by side or underneath



- **Remote control motor operators**
Available frame sizes
 - DPX 250 - DPX 1250
 - DPX 630 - DPX 1600



- **Rotary handle**
Available in two versions
 - Direct on DPX
 - Vary depth handle



CONNECTION ACCESSORIES

- **Connection terminals and accessories**



- **Base for plug-in version and "debrolift" mechanism for draw-out version**



DPX™ MCCBs

selection chart for DPX MCCBs

| | | DPX | | | | | | | | |
|--|--|----------------|----------|--------------------|---------------|-----------|--------------------|-----------|---------------------|-----------|
| | | DPX 125 | | | DPX 160 | | DPX 250 ER | | | |
| | | DPX-E | DPX | DPX | DPX | DPX-H | DPX | DPX | | |
| Type and frame size | | DPX 125 | | | DPX 160 | | DPX 250 ER | | | |
| Number of poles | | 3-4 | 3-4 | 3-4 | 3-4 | 3-4 | 3-4 | | | |
| Nominal rating In (A) | | 16 - 125 | 16 - 125 | 16 - 125 | 160 | | 100-250 | | | |
| Electrical characteristics conforming to | | | | | | | | | | |
| EN 60947 - 2 and IS 13947 - 2 | | | | | | | | | | |
| Rated operating voltage Ue (V a.c. at 50-60 Hz) | | 500 | | | 500 | | 500 | | | |
| Rated operating voltage Ue (V d.c.) | | 250 | | | 250 | | 250 | | | |
| Rated insulation voltage Ui (V a.c.) | | 500 | | | 500 | | 500 | | | |
| Rated impulse withstand voltage Uimp (kV) | | 6 | | | 6 | | 6 | | | |
| Category of use | | A | | | A | | A | | | |
| Type of MCCB | | E | | | | | | | | |
| Ultimate breaking capacity | | 230/240 V ~ | | 22 | 35 | 50 | 50 | 65 | 50 | 65 |
| Icu(kA) | | 400/415 V ~ | | 16 | 25 | 36 | 36 | 50 | 36 | 50 |
| | | 250 V= | | 16 | 25 | 30 | 36 | 40 | 36 | 45 |
| Standard breaking capacity Ics (% Icu) | | | | 100 | 50 | 75 | 75 | 50 | 75 | 50 |
| Maximum Cable cross section | | Rigid Cable | | 70 mm ² | | | 95 mm ² | | 185 mm ² | |
| | | Flexible cable | | 50 mm ² | | | 70 mm ² | | 150 mm ² | |
| Copper bar & lug width | | 12 mm Cu bar | | | 188 mm Cu bar | | 22 mm Cu bar | | | |
| Rated closing capacity on short-circuit (400 VA) | | 32 | 52.5 | 75.6 | 75.6 | 100 | 75.6 | 105 | | |
| Rated short-time withstand current Icw (kA) for 1 sec. | | | | | | | | | | |
| Endurance (o.c. cycle) | | mechanical | | 25000 | | | 20000 | | 20000 | |
| | | electrical | | 8000 | | | 8000 | | 8000 | |
| Isolation capability | | • | | | • | | • | | | |
| Type of protection | | | | | | | | | | |
| Thermal-magnetic release | | • | | | • | | • | | | |
| Electronic release | | - | | | - | | - | | | |
| Earth leakage modules | | side by side | | • | | | • | | • | |
| | | underneath | | • | | | - | | • | |
| External accessories | | | | | | | | | | |
| Remote control | | - | | | - | | - | | | |
| Fixed type | | • | | | • | | • | | | |
| Plug-in type | | • | | | • | | • | | | |
| Draw-out type | | - | | | - | | - | | | |
| Rotary handle | | • | | | • | | • | | | |
| Supply inverter | | - | | | • | | • | | | |
| Dimensions and weight | | | | | | | | | | |
| Dimensions (L x H x D) (mm) | | 3-pole | | 75.6 x 120 x 74 | | | 90 x 150 x 74 | | 90 x 176 x 74 | |
| | | 4-pole | | 101 x 120 x 74 | | | 120 x 150 x 74 | | 120 x 176 x 74 | |
| Weight (kg) | | 3-pole | | 1 | 1 | 1 | 1.1 | 1.6 | | |
| | | 4-pole | | 1.2 | 1.2 | 1.2 | 1.5 | 2.1 | | |

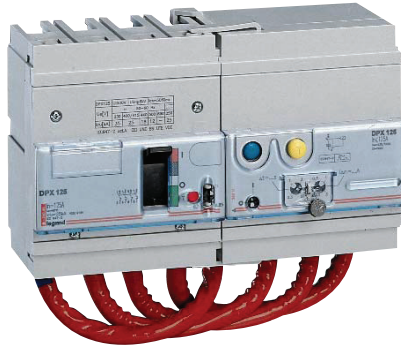
DPX™ 125

MCCBs from 16 to 125 A and earth leakage modules

DIN rail Mounting



6253 28



6253 28 + 0260 13

Dimensions (p. 70)
 Technical data (p. 52)

Confirm to IEC 60947-2
 Fixed version - Front terminals
 Thermal release adjustable from 0.7 to 1 In
 Fixed magnetic release / integrated label holder and accepts common auxiliaries

| Pack | Cat. nos. | DPX-E 125 |
|------|----------------|--|
| | | Breaking capacity Icu : 16 kA (380/415 V AC) |
| | | In |
| | 3 P | |
| 1/6 | 0250 16 | 16 A |
| 1/6 | 6253 17 | 25 A |
| 1/6 | 6253 18 | 40 A |
| 1/6 | 6253 19 | 63 A |
| 1/6 | 6253 20 | 100 A |
| 1/6 | 6253 21 | 125 A |
| | 4 P | |
| 1/6 | 0250 24 | 16 A |
| 1/6 | 6253 25 | 25 A |
| 1/6 | 6253 26 | 40 A |
| 1/6 | 6253 27 | 63 A |
| 1/6 | 6253 28 | 100 A |
| 1/6 | 6253 29 | 125 A |

| Pack | Cat. nos. | DPX 125 |
|------|----------------|--|
| | | Breaking capacity Icu : 25 kA (380/415 V AC) |
| | | In |
| | 3 P | |
| 1/6 | 0250 36 | 16 A |
| 1/6 | 6253 37 | 25 A |
| 1/6 | 6253 38 | 40 A |
| 1/6 | 6253 39 | 63 A |
| 1/6 | 6253 40 | 100 A |
| 1/6 | 6253 41 | 125 A |
| | 4 P | |
| 1/6 | 0250 44 | 16 A |
| 1/6 | 6253 45 | 25 A |
| 1/6 | 6253 46 | 40 A |
| 1/6 | 6253 47 | 63 A |
| 1/6 | 6253 48 | 100 A |
| 1/6 | 6253 49 | 125 A |
| | 3 P+ N/2 | |
| 1/6 | 6253 42 | 100 A |
| 1/6 | 6253 43 | 125 A |

| Pack | Cat. nos. | DPX 125 |
|------|----------------|--|
| | | Breaking capacity Icu : 36 kA (380/415 V AC) |
| | | In |
| | 3 P | |
| 1 | 0250 50 | 16 A |
| 1 | 6253 51 | 25 A |
| 1/6 | 6253 52 | 40 A |
| 1/6 | 6253 53 | 63 A |
| 1 | 6253 54 | 100 A |
| 1/6 | 6253 55 | 125 A |
| | 4 P | |
| 1 | 0250 58 | 16 A |
| 1 | 6253 59 | 25 A |
| 1 | 6253 60 | 40 A |
| 1 | 6253 61 | 63 A |
| 1 | 6253 62 | 100 A |
| 1 | 6253 63 | 125 A |
| | 3 P+ N/2 | |
| 1/6 | 6253 56 | 100 A |
| 1 | 6253 57 | 125 A |

| Pack | Cat. nos. | Electronic earth leakage modules |
|------|-----------|--|
| | | Can be fitted directly onto DPX-E 125 and DPX 125 |
| | | Operating voltage : 230 to 500 V AC |
| | | Adjustable, sealable sensitivity : 0.03 - 0.3 - 1 - 3 A |
| | | Adjustable, sealable time delay : 0 - 0.3 - 1 - 3 s |
| | | Equipped with : |
| | | • Test and reset push-button |
| | | • Isolator switch for electronic circuits (for HV commissioning tests) to open the DPX automatically |
| | | Mounted side by side |
| | | In |
| 1/6 | 0260 13 | 125 A |
| | | Mounted underneath |
| | | In |
| 1/6 | 0260 14 | 125 A |

Electrical Auxiliaries (p. 48)

Residual current relays and coils (p. 49)

DPX™ 125

rotary handles and other accessories



0262 01



0262 07



0262 00



6250 05



Dimensions (p. 75-77)

| Pack | Cat. nos. | Rotary handles |
|---|----------------|--|
| 1/32 | 0262 01 | Available in two versions |
| 1/10 | 0262 75 | <ul style="list-style-type: none"> • Direct on DPX • Vary-depth handle The vary-depth handle includes the connecting rod, the self-adhesive drilling template, the mounting accessories and the door locking mechanism Direct on DPX |
| | | Vary-depth handle |
| Phase barriers | | |
| 1 | 0262 07 | Used to isolate the connections between each pole Set of 3 insulated shields |
| Padlock support | | |
| 1 | 0262 00 | For locking in "OFF" position |
| Accessory for mounting on DIN rail | | |
| 1/12 | 0262 08 | DIN rail adaptor |
| 1/10 | 0262 99 | Spacer for DIN rail adaptor |
| Spreader links | | |
| 1 | 6250 01 | A set of 3 links for 3 pole DPX to terminate high capacity aluminium cable of size 95 mm ² / aluminium busbar of size 15 x 3 mm |
| 1 | 6250 05 | A set of 4 links for 4 pole DPX to terminate high capacity aluminium cable of size 95 mm ² / aluminium busbar of size 15 x 3 mm |
| Electronic control box | | |
| 1 | 0261 93 | For detecting the absence of voltage or a drop in voltage : triggers the opening of a power supply source |
| 1 | 0261 94 | Standard Advanced |

Padlock support fixing illustration (p. 35)

Din rail mounting illustration (p. 35)

* NB : For the automatic version, add 2 remote controls and 2 auxiliary contacts, 2 shunt trips and one mechanical inverter plate in addition to the 2 MCCBs

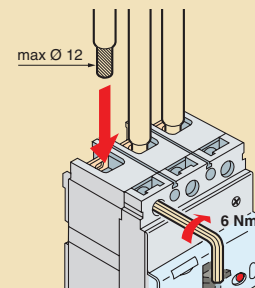
* For enclosures refer page 184

DPX™ 125

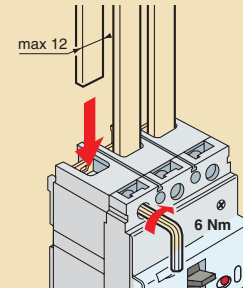
■ Connection

DPX front mounting

connection by cables

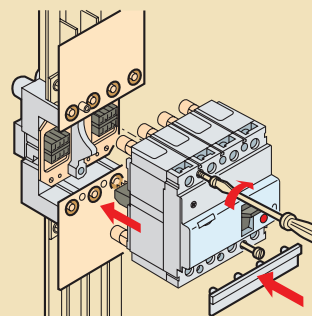


connection by busbars

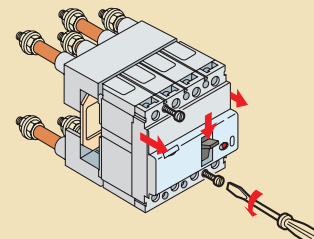


Plug in version

front mounting



rear mounting



For overload and short circuit protection from 0.5 A to 63 A

see p. 90

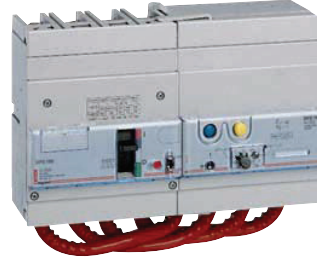
DPX™ 160
MCCBs of 160 A

DPX™ 160
earth leakage modules

DIN rail
Mounting



0251 51



0251 51 + 0260 21

Dimensions (p. 70)
Technical Data (p. 53)

Confirm to IEC 60947-2 and EN 60947-3
Fixed version - Front terminals
Max. rated voltage 500V~ -50/60Hz
Thermal release adjustable from 0.64 to 1 In
Fixed magnetic at 10 In

| Pack | Cat. nos. | DPX 160 | | | | |
|---------|---|----------------|-----|---------|---------|---|
| 1 | <table border="1"> <tr> <td>3 P</td> <td>4 P</td> </tr> <tr> <td>0251 51</td> <td>0251 59</td> </tr> </table> | 3 P | 4 P | 0251 51 | 0251 59 | Breaking capacity Icu : 36 kA (400V~) In 160 A |
| 3 P | 4 P | | | | | |
| 0251 51 | 0251 59 | | | | | |
| 1 | <table border="1"> <tr> <td>3 P</td> <td>4 P</td> </tr> <tr> <td>0251 65</td> <td>0251 73</td> </tr> </table> | 3 P | 4 P | 0251 65 | 0251 73 | DPX-H 160 Breaking capacity Icu : 50 kA (400V~) In 160 A |
| 3 P | 4 P | | | | | |
| 0251 65 | 0251 73 | | | | | |

| Pack | Cat. nos. | Electronic earth leakage modules |
|------|----------------|---|
| 1 | 4 P 0260 21 | Can be fitted directly onto DPX Operating voltage : 230 to 500 V AC Adjustable, sealable sensitivity : 0.03 - 0.3 - 1 - 3 A Adjustable, sealable time delay : 0 - 0.3 - 1 - 3 s Equipped with : <ul style="list-style-type: none"> • Test and reset push-button • Isolator switch for electronic circuits (for HV commissioning tests) to open the DPX automatically Mounted side by side In 160 A |

Residual current relays and coils
(p. 49)

DPX™ 160

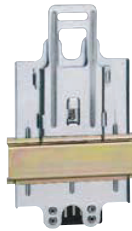
rotary handles and other accessories



0262 11



0262 10



0262 09



0262 99

| Pack | Cat. nos. | Rotary handles |
|------|----------------|---|
| | | Available in two versions <ul style="list-style-type: none"> • Direct on DPX • Vary-depth handle The vary-depth handle includes the connecting rod, the bracket, the self-adhesive drilling template, the mounting accessories and the door locking mechanism |
| 1 | 0262 11 | Direct on DPX |
| 1 | 0262 77 | Vary-depth handle |
| | | Phase barriers |
| 1 | 0262 07 | Used to isolate the connections between each pole Set of 3 insulation shields |
| | | Padlock |
| 1 | 0262 10 | For locking in "OFF" position |
| | | Accessories for mounting on DIN rail |
| 1 | 0262 09 | Din rail fixing plate |
| 1 | 0262 99 | Spacer for Din rail equipment |
| | | Supply inverter type - mounting plate |
| 1 | 0264 01 | For mechanical interlocking of 2 DPX of the same size for use in normal or automatic modes. Mounting plate for mechanical interlock. |
| | | Electronic control box |
| 1 | 0261 93 | For detecting the absence of voltage or a drop in voltage : triggers the opening of a power supply source Standard |
| 1 | 0261 94 | Advanced |
| | | Spreader links |
| 1 | 6250 14 | A set of 3 links for 3 pole DPX to terminate high capacity aluminium cable of size 120 mm ² aluminium busbar of size 20 x 5mm |
| 1 | 6250 18 | A set of 4 links for 4 pole DPX to terminate high capacity aluminium cable of size 120 mm ² aluminium busbar of size 20 x 5 mm |

* NB : For the automatic version, add 2 remote controls and 2 auxiliary contacts, 2 shunt trips and one mechanical inverter plate in addition to the 2 MCCBs

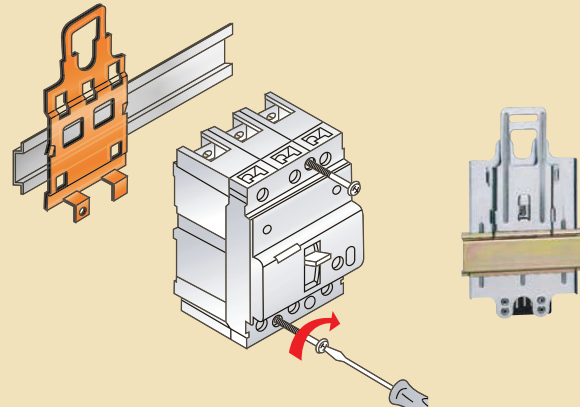
* For enclosures, refer page 184

DPX™ MCCBs

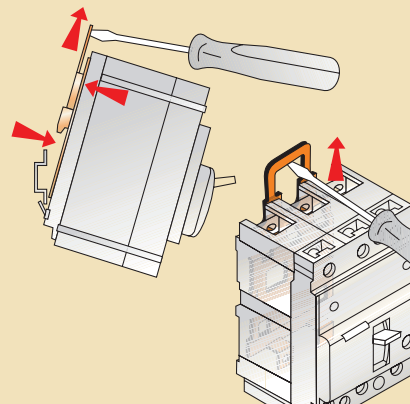
for DPX 125 and DPX 160

■ Installations

DIN rail adaptor

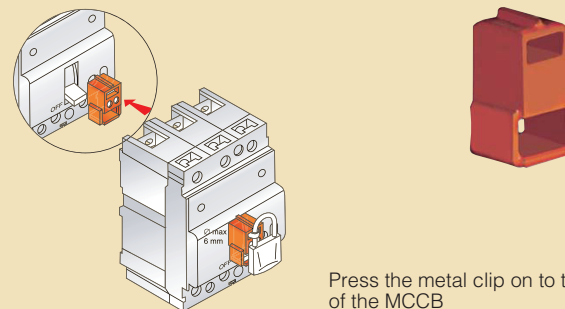


Tighten the screws that mount the MCCB on the Din rail adaptor

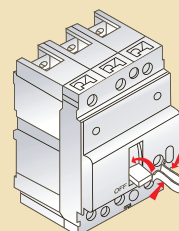


Use a screwdriver to remove the MCCB from the Din rail

Padlock support



Press the metal clip on to the dolly of the MCCB



The padlock support locks the operating lever in "OFF" condition

Bold catalogue numbers are products normally available with Legrand (India) stockists.

Cat. nos. that are not bold - delivery within 4 weeks from the date of order.

Bold packing quantity is our mandatory packing. Orders to be placed by Legrand (India) stockists in multiples of the same..

DPX™ 250 ER
MCCBs from 100 to 250 A

DPX™ 250 ER
earth leakage modules

DIN rail
Mounting



252 56



0252 56 0260 36

Dimensions (p. 71)
Technical Data (p. 54)

Confirm to IEC 60947-2
Fixed version - Front terminals
Thermal release adjustable from 0.64 to 1 In
Fixed magnetic at 10 In
Integrated label holder and accpets
Common auxiliaries

| Pack | Cat. nos. | | DPX 250 ER |
|------|----------------|----------------|---|
| | | | Breaking capacity Icu : 36 kA (380/450 V AC) |
| | 3 P | 4 P | In |
| 1/6 | 0252 24 | 0252 34 | 100 A |
| 1/6 | 0252 25 | 0252 35 | 160 A |
| 1/6 | 0252 30 | 0252 37 | 200 A |
| 1/6 | 0252 26 | 0252 36 | 250 A |
| | | | Breaking capacity Icu : 50 kA (380/450 V AC) |
| | 3 P | 4 P | In |
| 1 | 0252 44 | 0252 54 | 100 A |
| 1 | 0252 45 | 0252 55 | 160 A |
| 1 | 0252 46 | 0252 56 | 250 A |

| Pack | Cat. nos. | Electronic earth leakage modules |
|------|-------------------------|---|
| | | Can be fitted onto DPX 250 ER |
| | | Adjustable and sealable sensitivity : |
| | | 0.03 - 0.3 - 1 - 3 A |
| | | Adjustable tripping : 0 - 0.3 - 1 - 3 s |
| | | Switch for mechanical tests on operation and |
| | | insulation of the device in case of installation" |
| | | insulation test |
| | | Nominal operating voltage : |
| | | 230 - 500 V AC |
| 1/6 | 4 P 250 A 0260 36 | Mounted side-by-side via right-hand clips |
| 1/6 | 0260 38 | Mounted underneath |

DPX™ 250 ER

rotary handles and other accessories



0262 11



0262 07



0262 10



Dimensions (p. 75-77)

| Pack | Cat. nos. | Rotary handles |
|------|----------------|---|
| | | Available in two versions <ul style="list-style-type: none"> • Direct on DPX • Vary-depth handle The vary-depth handle includes the connecting rod, the bracket, the self-adhesive drilling template, the mounting accessories and the door locking mechanism |
| 1/20 | 0262 11 | Direct on DPX |
| 1/10 | 0262 77 | Vary-depth handle |
| | | Phase barriers |
| 1 | 0262 07 | Used to isolate connection between each pole Set of 3 insulating dividers |
| | | Padlock support |
| 1/24 | 0262 10 | For locking a handle in "OFF" position |
| | | Accessory for mounting on DIN rail |
| 1/12 | 0262 09 | DIN rail adaptor |
| 1/10 | 0262 99 | Spacer for DIN rail adaptor |
| | | Spreader links |
| 1 | 6250 14 | A set of 3 links for 3 pole DPX to terminate high capacity aluminium cable of size 120 mm ² aluminium busbar of size 20 x 5mm |
| 1 | 6250 18 | A set of 4 links for 4 pole DPX to terminate high capacity aluminium cable of size 120 mm ² aluminium busbar of size 20 x 5 mm |
| | | Supply inverter type - mounting plate |
| 1 | 0264 02 | For mechanical interlocking of 2 DPX of the same size for use in manual mode Mounting plate for fixed version |

Padlock support fixing illustrations (p. 35)

Din rail mounting illustration (p. 35)

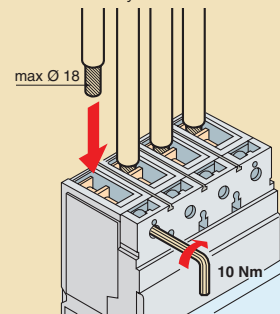
* For enclosures, refer page 184

DPX™ 250 ER

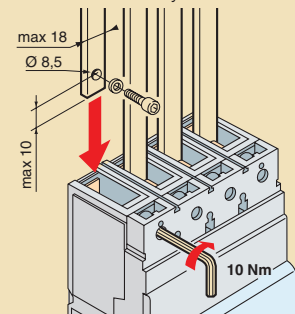
■ Connection

DPX front mounting

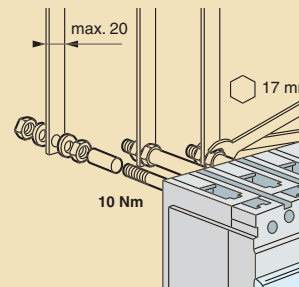
connection by cables



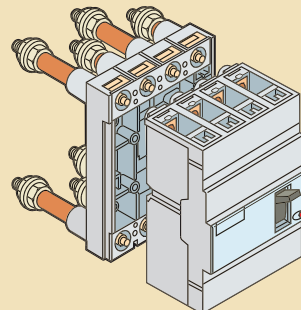
connection by busbars




DPX rear mounting



Plug in version rear mounting





Electrical auxiliaries

see p. 48

Bold catalogue numbers are products normally available with Legrand (India) stockists.

Cat. nos. that are not bold - delivery within 4 weeks from the date of order.

Bold packing quantity is our mandatory packing. Orders to be placed by Legrand (India) stockists in multiples of the same.

DPX™ 250

MCCBs from 25 to 250 A



0253 49

DPX™ 250

MCCBs from 40 to 250 A with microprocessor release



0254 23

Dimensions (p. 71)
 Technical Data (p. 55)

Confirm to IEC 60947-2
 Fixed version - Front terminals
 Thermal release adjustable from 0.64 to 1 In
 Magnetic release adjustable from 3.5 to 10 In

| Pack | Cat. nos. | | DPX 250 |
|------|----------------|---------|---|
| | 3 P | 4 P | Breaking capacity Icu : 36 kA (380/415 V AC) |
| 1 | 0253 28 | 0253 45 | In |
| 1 | 0253 29 | 0253 46 | 40 A |
| 1 | 0253 30 | 0253 47 | 63 A |
| 1 | 0253 31 | 0253 48 | 100 A |
| 1 | 0253 32 | 0253 49 | 160 A |
| | 3 P+ N/2 | | 250 A |
| 1 | 0253 40 | | In |
| 1 | 0253 41 | | 100 A |
| 1 | 0253 42 | | 160 A |
| | | | 250 A |

| Pack | Cat. nos. | | DPX-H 250 |
|------|-----------|---------|---|
| | 3 P | 4 P | Breaking capacity Icu : 70 kA (380/415 V AC) |
| 1 | 0253 52 | 0253 69 | In |
| 1 | 0253 53 | 0253 70 | 40 A |
| 1 | 0253 54 | 0253 71 | 63 A |
| 1 | 0253 55 | 0253 72 | 100 A |
| 1 | 0253 56 | 0253 73 | 160 A |
| | 3 P+ N/2 | | 250 A |
| 1 | 0253 64 | | In |
| 1 | 0253 65 | | 100 A |
| 1 | 0253 66 | | 160 A |
| | | | 250 A |

| Pack | Cat. nos. | | DPX-L 250 |
|------|-----------|---------|--|
| | 3 P | 4 P | Breaking capacity Icu : 100 kA (380/415 V AC) |
| 1 | 0253 80 | 0253 89 | In |
| 1 | 0253 81 | 0253 90 | 100 A |
| 1 | 0253 82 | 0253 91 | 160 A |
| | 3 P+ N/2 | | 250 A |
| 1 | 0253 86 | | In |
| 1 | 0253 87 | | 100 A |
| 1 | 0253 88 | | 160 A |
| | | | 250 A |

Microprocessor Release

Confirm to IEC 60947-2
 Fixed version - Front terminals
 Max rated voltage 690 V \sim - 50/60 Hz
 Adjustment : refer pg.55 performance data
 Integrated label holder and accepts common auxiliaries

| Pack | Cat. nos. | | DPX-H 250 |
|------|-----------|---------|---|
| | 3 P | 4 P | Breaking capacity Icu : 70 kA (380/415 V AC) |
| 1 | 0254 13 | 0254 19 | In |
| 1 | 0254 15 | 0254 21 | 40 A |
| 1 | 0254 16 | 0254 22 | 100 A |
| 1 | 0254 17 | 0254 23 | 160 A |
| | | | 250 A |

DPX™ 250 earth leakage modules and rotary handles



0260 55



0262 79



0262 22

DPX™ 250 other mounting accessories



OS0262 25/3



0262 30



Dimensions (p. 75-77)

Can be fitted directly onto DPX 250 and DPX-H 250.
Operating voltage : 230 to 500 VA

| Pack | Cat. nos. | Earth leakage modules |
|------|----------------|--|
| 1 | 4 P 0260 55 | Adjustable, sealable sensitivity : 0.03 - 0.3 - 1 - 3 A Adjustable, sealable time delay : 0 - 0.3 - 1 - 3 s Equipped with : Test and reset pushbutton Isolator switch for electronic circuits (for commissioning tests) to open the DPX automatically Mounted underneath In 250 A |

| Pack | Cat. nos. | Rotary handles |
|-------------|--------------------|--|
| 1/6 1/10 | 0262 22 0262 79 | Available in two versions • Direct on DPX • Vary-depth handle The vary-depth handle includes the connecting rod, the bracket, the self-adhesive drilling template, the mounting accessories and the door locking mechanism Direct on DPX Vary-depth handle |

Electrical auxiliaries (p. 48)


Residual current relays and coils (p. 49)

| Pack | Cat. nos. | Locking accessory for rotary handle |
|--------|--------------------|--|
| 1 | OS0262 25/3 | For locking the rotary handle (Direct type only) (set of 3 locks with keys) |
| 1 | 0262 30 | Phase barriers Used to isolate the connections between each pole Set of 3 insulation shields |
| 1/24 | 0262 21 | Padlock support For locking handle in "OFF" position |
| 1 | 6250 14 | Spreader links A set of 3 links for 3 pole DPX to terminate high capacity aluminium cable of size 240 mm ² / aluminium busbar of size 30 x 5 mm |
| 1 | 6250 18 | A set of 4 links for 4 pole DPX to terminate high capacity aluminium cable of size 240 mm ² / aluminium busbar of size 30 x 5 mm |
| 1 | 0261 34 | Motor For remote making and breaking of a DPX MCCB and reset in the event of tripping on a fault A lock prevents operation when working on the line. Front operated 230 V ~/∞ |
| 1 | 0264 08 | Supply inverter type mounting plate For mechanical interlocking of 2 DPX of the same size for use in manual or automatic modes Mounting plate for fixed version |
| 1 1 | 0261 93 0261 94 | Electronic control box For detecting the absence of voltage or a drop in voltage : triggers the opening of a power supply source Standard Advanced |

Padlock support fixing illustrations (p. 35)

* For enclosures, refer page 184

* NB : For the automatic version, add 2 remote controls and 2 auxiliary
contacts, 2 shunt trips and one mechanical inverter plate in addition to
the 2 MCCBs



**Earth leakage protection for
specialised application**

see p. 100-101

Bold catalogue numbers are products normally available with Legrand (India) stockists.

Cat. nos. that are not bold - delivery within 4 weeks from the date of order.

Bold packing quantity is our mandatory packing. Orders to be placed by Legrand (India) stockists in multiples of the same.

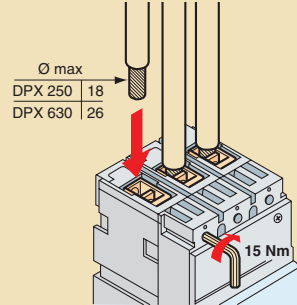
DPX™ 250

MCCBs from 25 to 250 A

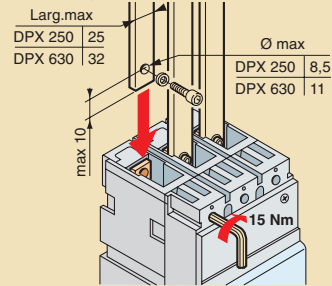
■ Connection

DPX front mounting

connection by cables

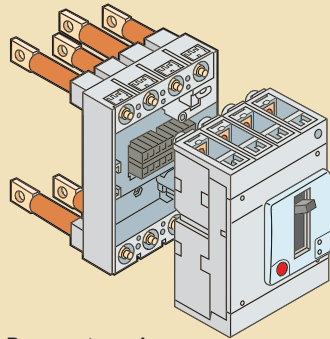


connection by busbars



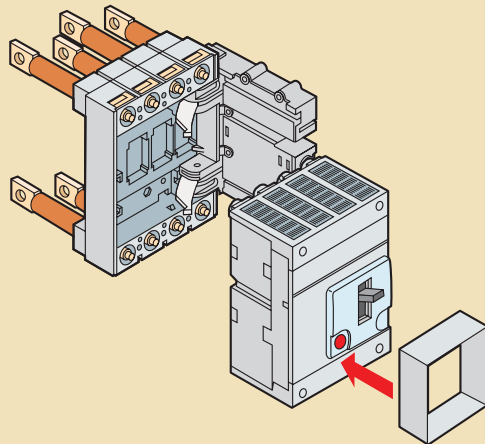
Plug in version

connection rear mounting

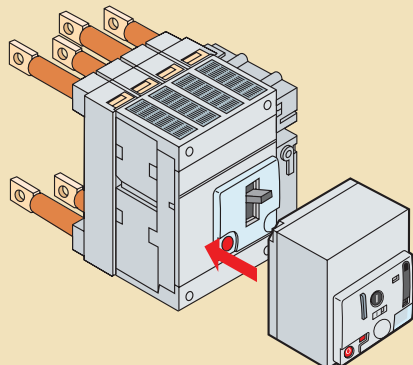


Draw-out version

draw-out mechanism

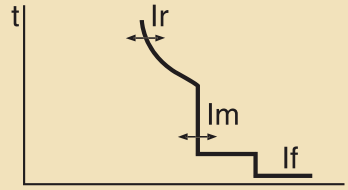


Motor operator



■ Performance data

S1 - Adjustment of overload and short circuit currents (I_r and I_m)



- Long delay protection against overloads with an adjustable threshold based on the rms value of the current:
 $I_r = 0.4 - 0.5 - 0.6 - 0.7 - 0.8 - 0.9 - 0.95 - 1 \times I_n$ (8 steps)
 $T_r = 5 \text{ s}$ (fixed at 6 tr)
- Short delay protection against short-circuits with an adjustable I_m threshold:
 $I_m = 1.5 - 2 - 3 - 4 - 5 - 6 - 8 - 10 \times I_r$ (8 steps)
 $T_m = 0.05 \text{ s}$ (fixed)
- Instantaneous protection if with fixed threshold: $I_f = 3 \text{ kA}$