

<i>Index</i>	3
<i>Introduction</i>	8
<i>Design guides and characteristics</i>	29
<i>Canalis KDP</i>	57
<i>Canalis KBA and KBL industrial luminaires</i>	85
<b>Presentation</b>	
<b>Canalis KBB</b>	<b>114</b>
For lighting and power socket distribution	114
<b>Description</b>	
<b>Canalis KBB, 25 and 40 A</b>	<b>118</b>
Busbar trunking for lighting and power socket distribution	118
<b>Canalis KDP, KBA and KBB</b>	<b>122</b>
Busbar trunking for lighting and power socket distribution	122
Tap-off units	122
<b>Catalogue numbers Dimensions</b>	
<b>Canalis KBB, 25 and 40 A, 1 circuit</b>	<b>124</b>
Busbar trunking for lighting and power socket distribution	124
Optional remote-control circuit (code T)	
Optional isolated earth (code E)	124
<b>Canalis KBB, 25 and 40 A, 2 circuits</b>	<b>125</b>
Busbar trunking for lighting and power socket distribution	125
Optional remote-control circuit (code T)	
Optional isolated earth (code E)	125
<b>Canalis KBB, 25 and 40 A</b>	<b>126</b>
Busbar trunking for lighting and power socket distribution	126
Optional remote-control circuit (code T)	
Optional isolated earth (code E)	126
Optional white lacquered metal enclosure (code W)	127
<b>Canalis KDP, KBA and KBB tap-off units</b>	<b>128</b>
For lighting and power socket distribution	128
<b>Canalis KBA and KBB tap-off units</b>	<b>131</b>
For lighting and power socket distribution	131
<b>Installation</b>	
<b>Canalis KBB, 25 and 40 A</b>	<b>132</b>
Busbar trunking for lighting and power socket distribution	132
Installation scenario	132
Assembly of trunking components	136
<i>Canalis KN</i>	139
<i>Canalis KS</i>	175
<i>Canalis KS riser</i>	229
<i>Canalis KT</i>	253
<i>Technical specifications</i>	259
<i>Maintenance</i>	267
<i>Recommendations for special applications</i>	273
<i>Catalogue numbers</i>	309
<i>Canalis worldwide</i>	315

## 1 - Run components

- Rating: 25 or 40 A.
- 2 or 4 live conductors.
- Length:
  - Basic lengths: 2 and 3 metres.

PD202170R.eps

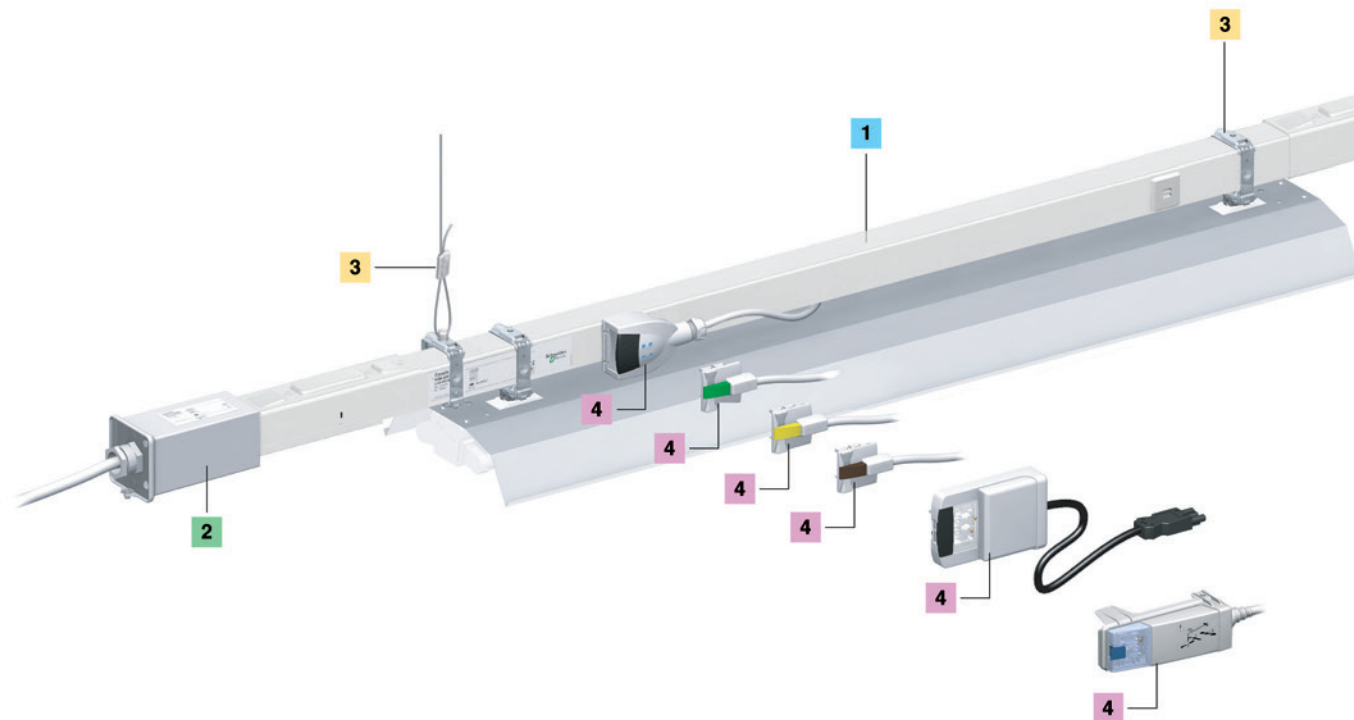
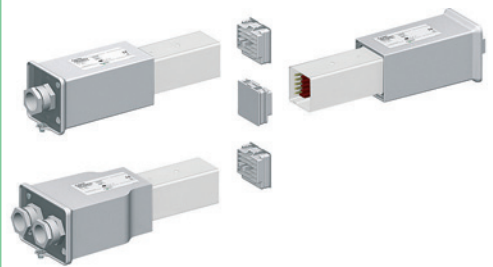


PD202173R.eps

## 2 - Feed units and end covers

- The feed units delivered with end covers, receive the cables supplying one end of Canalis KBB trunking.
- The end covers supplied with the feed units terminate the signal length and insure the IP level.

PD202171R.eps



### 3 - Fixing system and cable trays

- The fixing system ensures that Canalis KBB is well secured, whatever the type of building structure. There are also fixings to secure the luminaires to Canalis KBB.
- A metal duct is available for running other circuits such as emergency lighting, low-current circuits, etc.

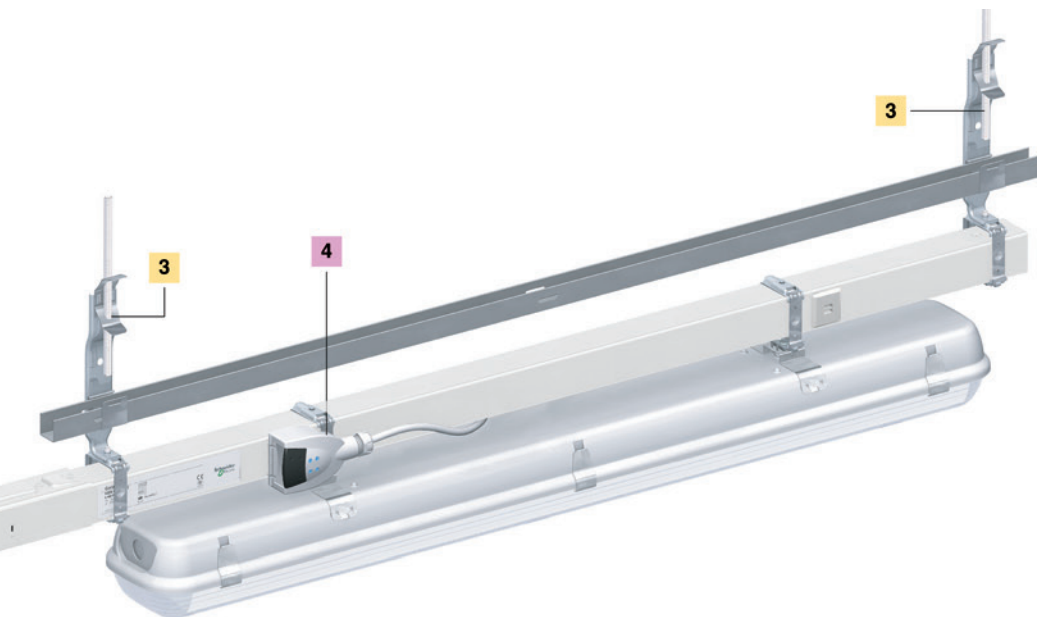
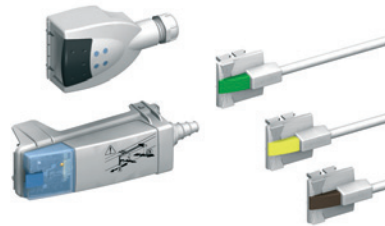
PD202172.eps



### 4 - Tap-off units

- The 10 and 16 A tap-off units, pre-wired or not, single-phase with fixed polarity or multi-phase with phase selection, can be used on the entire lighting range.

PD202439.eps



# Canalis KBB

for lighting and power socket distribution

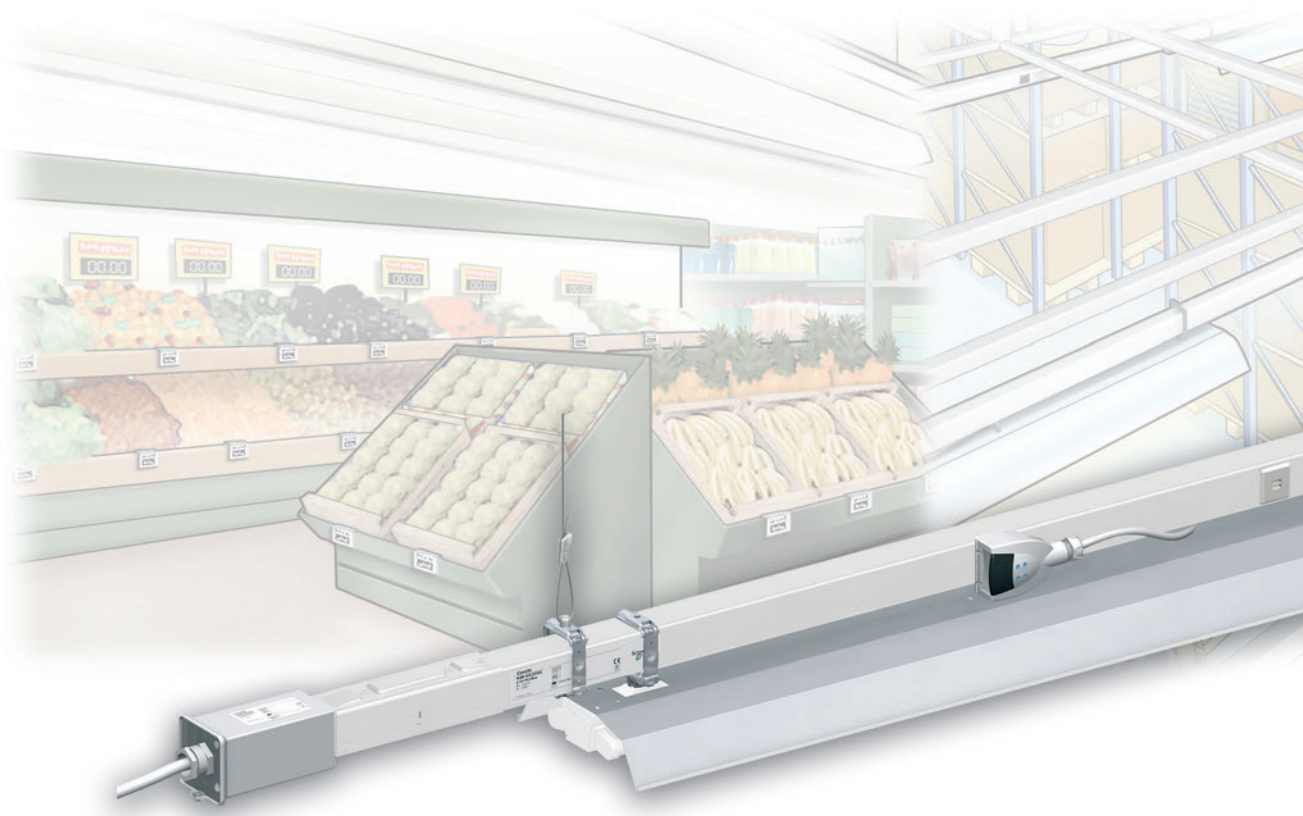
## No toxic emission in case of fire

All components in the KBB range are **halogen free**.  
In case of fire, Canalis KBB does not release smoke or toxic gases.

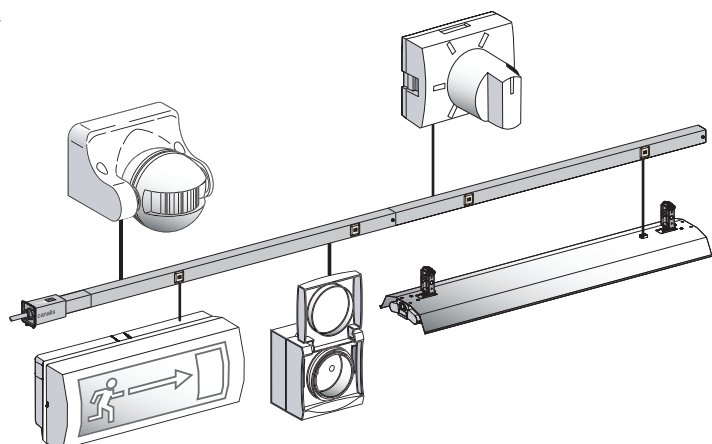
DD202141\_eps



PD202174R\_eps



DD202169\_eps



## A large number of conductors

Canalis KBB offers up to 11 conductors for all applications:

- emergency lighting,
- dimmers,
- detection of presence, lighting and power-socket circuits, etc.

### A high degree of protection

■ **IP55** guarantees trunking protection against splashes and dust.

■ Canalis KBB complies with **sprinkler tests**, guaranteeing operation under vertically and horizontally sprayed water for 50 minutes.

The high degree of protection for Canalis KBB means it can be installed in all types of buildings.

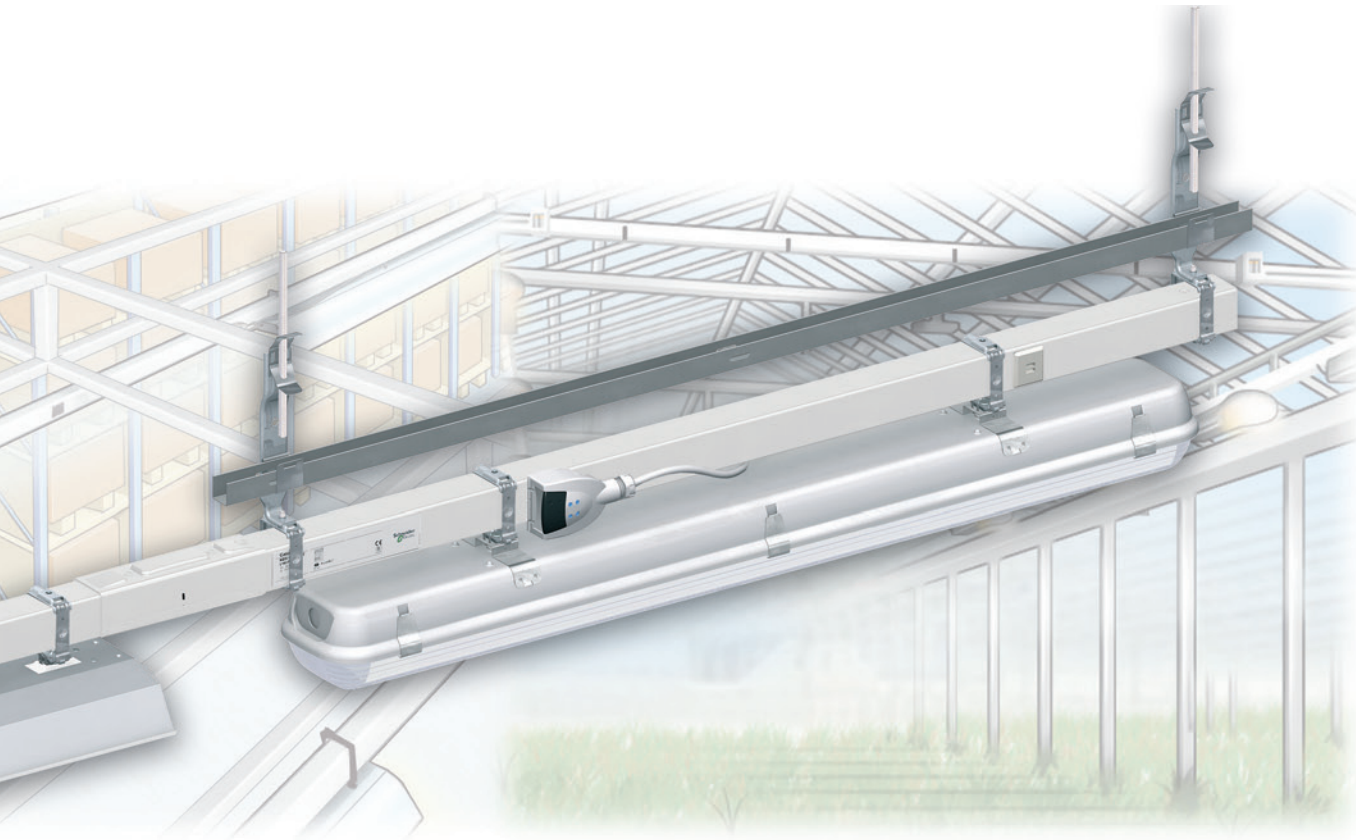
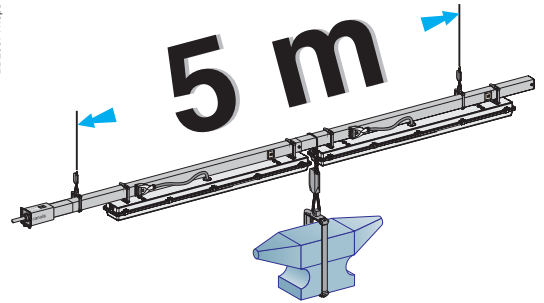
DD202142\_r.eps



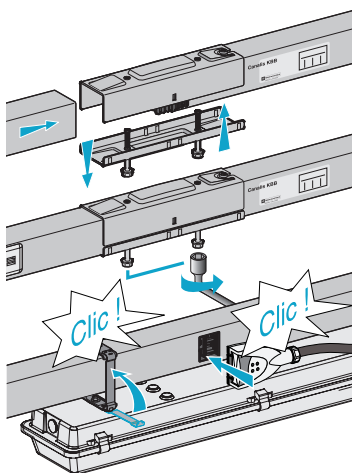
### Very rigid

Canalis KBB offers fixing distances of up to 5 metres, including the jointing units.

DD202571\_r.eps



DD2025706.eps



### Unmatched upgrading possibilities

It is particularly simple to add or modify a Canalis KBB installation since components can be easily mounted or dismantled.

All parts can be reused.



## Description

IP55

U<sub>e</sub> = 230...400 V

RAL 9003 white

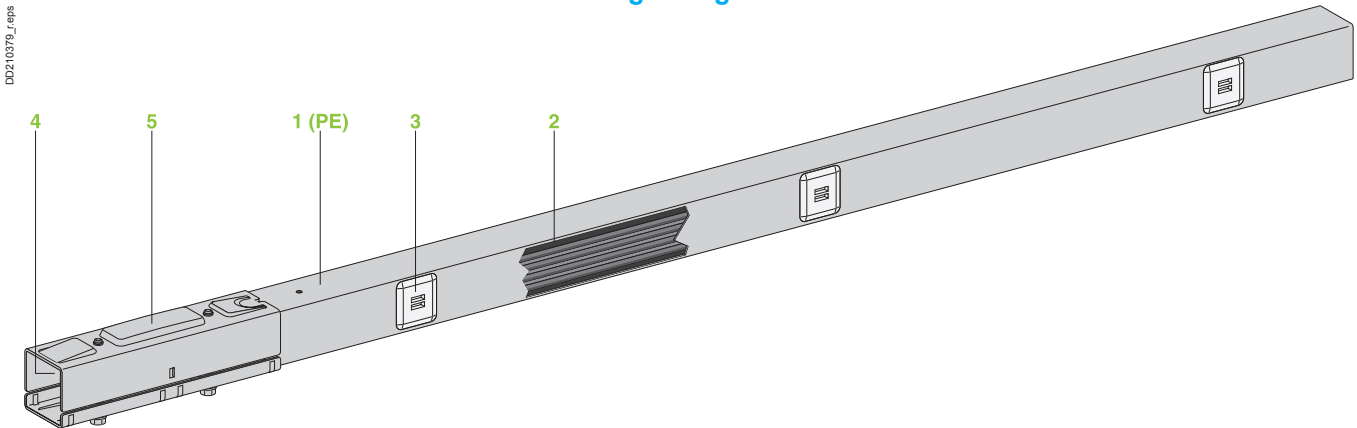
# Canalis KBB, 25 and 40 A

## Busbar trunking for lighting and power socket distribution

### Run components

Carry current, support and supply the luminaires. Particularly strong, Canalis KBB is specially intended for installations with large fixing distances and/or heavy or numerous luminaires.

### Straight lengths

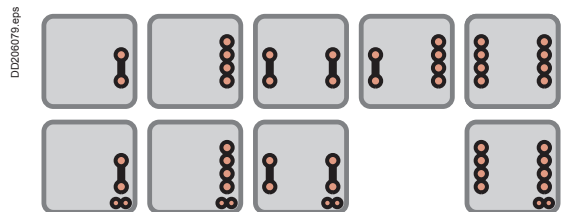


Straight lengths constitute the basic structure of the line and are made up of:

- 1 an all-in-one carrier casing, crimp closed, forming a rigid beam made of sheet steel, in RAL 9003 white lacquered sheet steel, hot galvanised on both sides. This casing also acts as the protective earth conductor (PE),
- 2 one or two ribbon cable with two or four copper conductors, making up one or two independent circuits,
- 3 three tap-off outlets maxi spaced every metre on the main circuit (front), two tap-off outlets maxi on the adjacent circuit (rear),
- 4 an electrical joint unit ensuring automatic and simultaneous connection of all live conductors,
- 5 a mechanical joint device in two parts, made of stamped sheet steel, that makes the connection of two lengths rigid and resistant to bending.

### Multi-circuit possibilities

The many possibilities offered by KBB trunking means specialised circuits can be created, e.g. for emergency lighting, presence detection, dimming.



### The degree of protection is IP55 (without accessories).

The busbar trunking is non-flame-propagating as per the recommendations of standard IEC 60332-3. All the insulating and plastic materials are **halogen-free** and have enhanced fire-withstand capabilities (incandescent wire test as per standard IEC 60695-2).

- 960°C for components in contact with live parts.
- 650°C for other components.

## Feed units and end covers

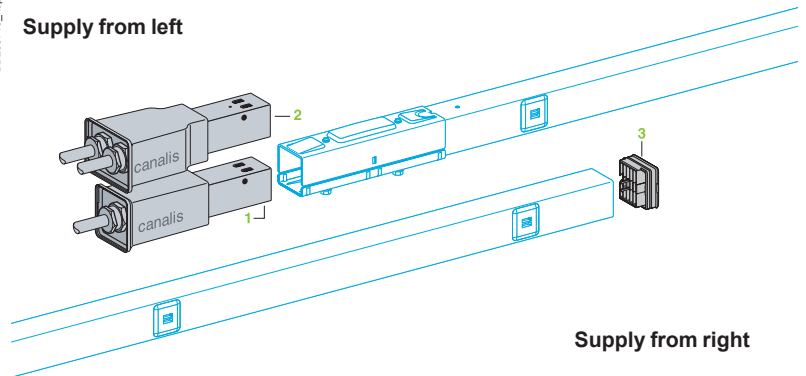
Supply a Canalis KBB line.  
They clip on (jointing unit) to the end of the line.

The end cover for the opposite end of the line is supplied with each feed unit.

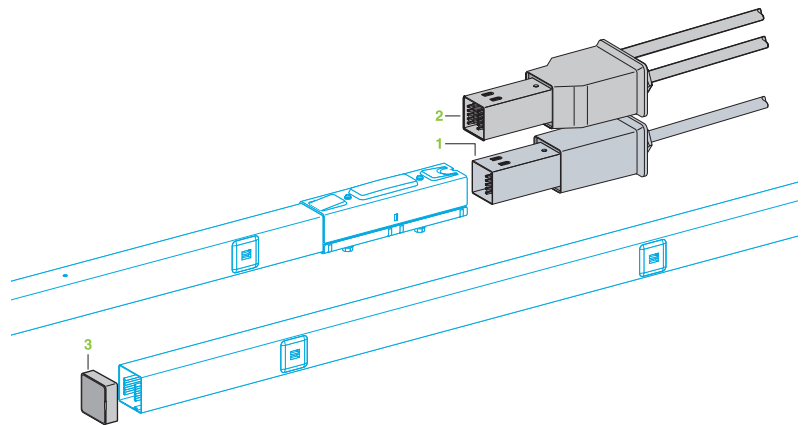
- 1 Feed unit, one circuit
- 2 Feed unit, two circuits
- 3 End cover.

DD205713\_eps

### Supply from left



### Supply from right

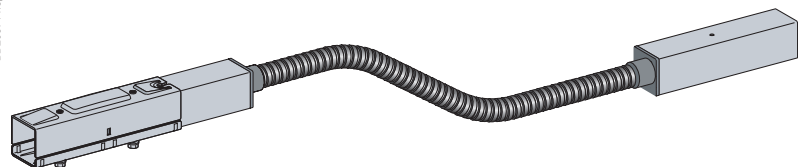


## Flexible lengths

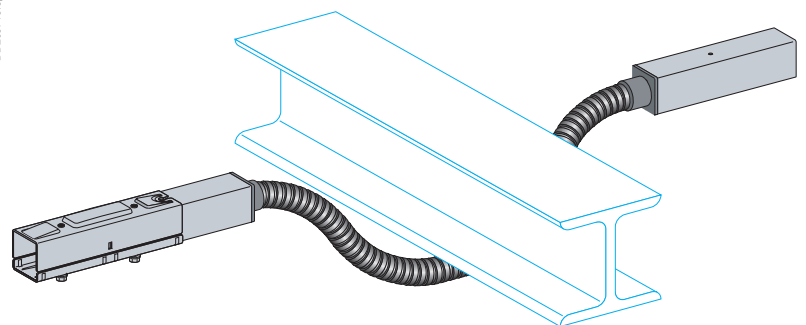
### Flexible length

For changes in direction or levels and detours around obstacles.  
It is mounted in the same way as a straight length.

DD205714\_eps



DD205715\_eps



## Description

IP55

U<sub>e</sub> = 230...400 V

RAL 9003 white

# Canalis KBB, 25 and 40 A

## Busbar trunking for lighting and power socket distribution

### Fixing systems

#### Busbar trunking

For attachment of the busbar trunking to the structure of the building, either directly or via a threaded rod, chain or steel cable.

- Designed to relieve the installer of the weight of the busbar trunking once placed in a bracket.
- Automatic locking of moving part on closing (unlocking requires a 3 mm flat screwdriver).
- The maximum recommended fixing distance is five metres.

#### 1 Universal fixing bracket

For suspension on a threaded rod, diameter 6 mm.  
For horizontal mounting on a beam, pendant, wall, etc.

#### 2 Cable suspension system

Cuts the mounting time of the fixing system to one-third of that required for threaded rods.  
Enables adjustment of the height of the trunking.

#### 3 Adjustable threaded-rod suspension system

For suspension on a threaded rod, diameter 6 mm.  
A spring system locks the threaded rod in position for fast adjustment of the trunking.

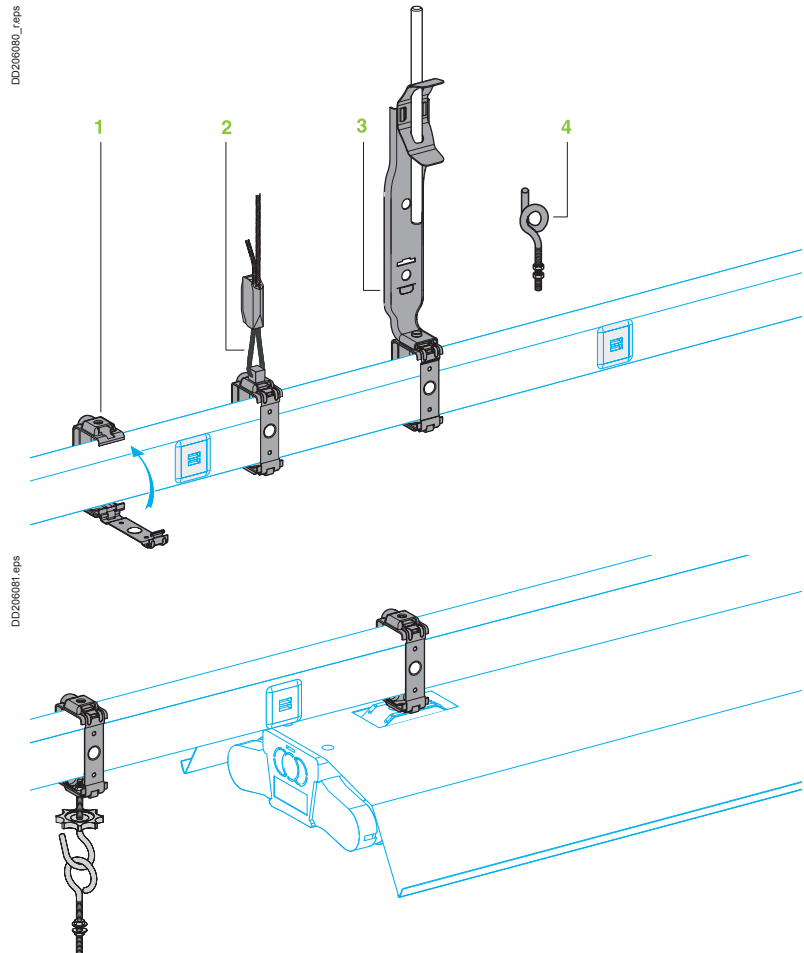
#### 4 Pigtail hook

For suspension by a chain.

#### Luminaires

Attached to the luminaires before mounting, these fixings ensure fast and direct fixing to Canalis KBB.

- Fixing systems with automatic locking of moving part on closing.
- To be completed according to the luminaire with suspension accessories (open hook, closed ring...).

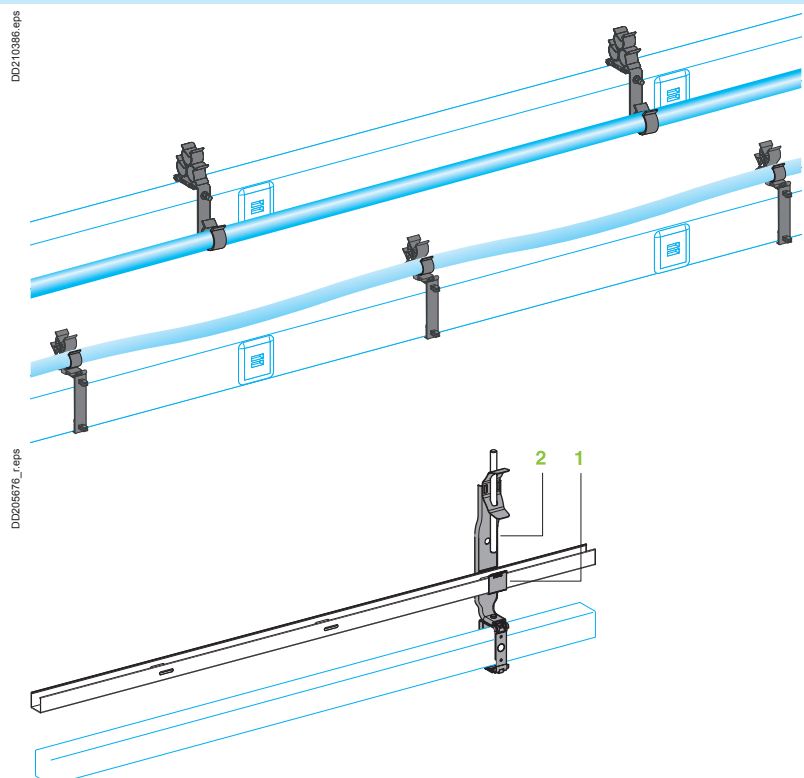


### Cable support

For running adjacent circuits such as emergency lighting, low-current circuits, etc.

#### Cable brackets

Clips to trunking for fast mounting. It is possible to run three cables (diameter 5 to 16 mm) and two IRL tubes.



#### Cable duct

The cable duct fits on support (1), which in turn fits onto a threaded rod suspension system (2). An intermediate support is placed between the duct and the trunking if the distance between the suspension points exceeds 2 metres.

Each duct is equipped with a mechanical joint system.

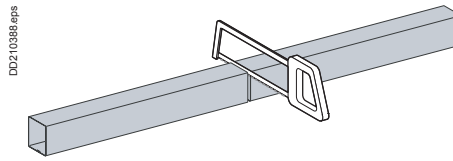


## Options

### Empty lengths (no electric circuit)

Used to adjust line length to building dimensions (e.g. to reach a fixing point).

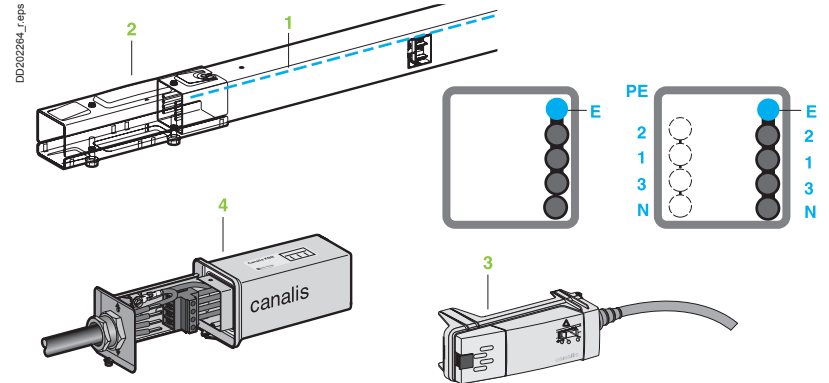
Two metres long, can be cut on site.



### Clean earth option (Code E)

As an option, a factory-fitted dedicated earth conductor isolated from the grounding is available. This is known as a Clean Earth and has a cross-section of 6 mm<sup>2</sup>.

- 1 The clean earth is always provided on the main circuit of KBB busbar trunking, on the front panel (side with label and 3 tap-offs on KBB with 2 circuits). The ⚡ symbol, which appears at regular intervals near to the tap-off outlets, serves as a reminder of the special nature of this circuit.
- 2 The electrical jointing unit is supplied with additional clean earth contacts. Thus, installation of components fitted with option E does not require any additional assembly operation.
- 3 The receivers are connected using a standard 16 A (KBC 16DCB●● ou DCF●●).
- 4 The feed boxes are fitted with clean earth (labelled ⚡) et PE (labelled ⊕) terminals.



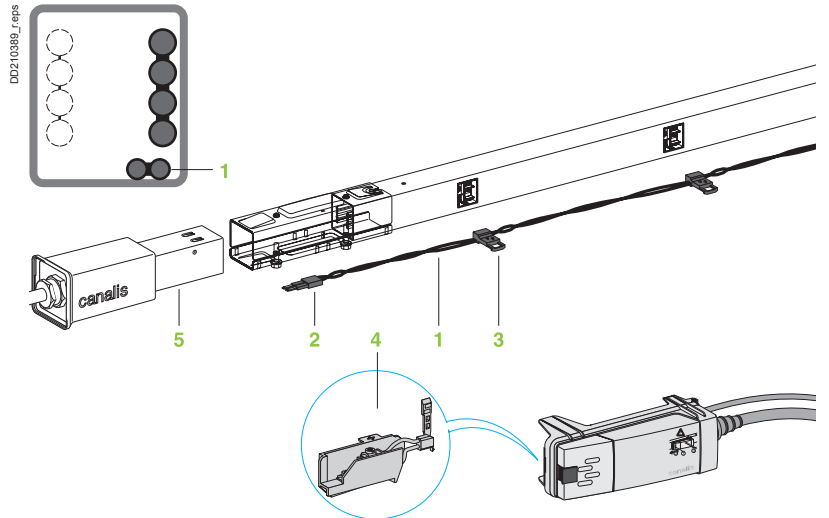
### Optional remote-control circuit (code T)

Factory mounted, an SELV remote-control circuit (U 50 V) is available for the loads supplied by the KBB trunking. The main applications are:

- remote control (rest mode or testing) of self-contained emergency lighting units,
- dimmer control,
- transmission on a building automation bus (please contact us).

The system is built in compliance with European standard EN 60439-2 and the LV and EMC directives.

- 1 The remote-control circuit (twisted pair 1-10 V) is factory mounted next to the main circuit in the trunking (in front for two-circuit trunking).
- 2 Electrical jointing unit equipped with additional bus contacts. Installation of components fitted with option T requires no additional assembly operations.
- 3 Each tap-off outlet is equipped with output contacts to tap-off the remote-control circuit to the receiver.
- 4 Connection of the remote-control receiver using a KBC-16DCB or DCF tap-off unit equipped with a KBC 16ZT1 contact-block accessory.
- 5 Feed units equipped with an additional bus terminal block.



Possibility to use KBA/KBB with T option to transport and distribute DALI protocol for lighting management.  
DALI stands for Digital Addressable Lighting Interface and is a protocol set out in the technical standard IEC 62386.



[www.dali-ag.org](http://www.dali-ag.org)

## Description

IP55

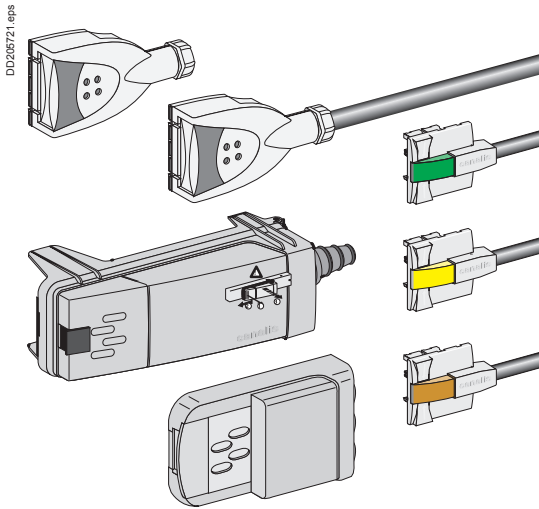
U<sub>e</sub> = 230...400 V

# Canalis KDP, KBA and KBB

## Busbar trunking for lighting and

## power socket distribution

## Tap-off units

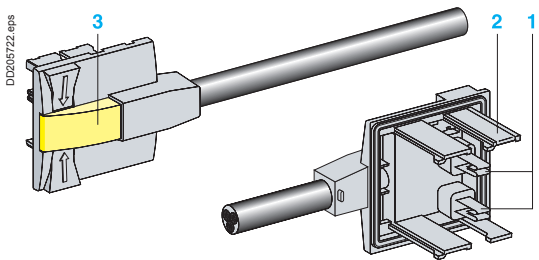


### Tap-off units (general)

For instantaneous connection of luminaires to KDP busbar trunking:

- they can be handled while energised and under live conditions,
- the contacts for live conductors are of the clamp type,
- PE connection occurs before that of the phases and neutral,
- phase-selection system (clip-in contact studs) for balancing of 3-phase distribution systems,
- selection is visible via a transparent window,
- a coloured lock holds them in the tap-off outlet,
- all the insulating and plastic materials have a high fire-retardant capacity:
  - incandescent-wire test in compliance with IEC 60695-2-1:
    - 960 °C for components in contact with live parts,
    - 650 °C for other components.

All the insulators and plastic components are **halogen free**.



### Pre-wired 10 A tap-off unit with fixed polarity

Pre-wired with SO5Z1Z1-F 3 x 1.5 mm<sup>2</sup> cable, 0.80 m long, pre-stripped on luminaire end:

- 10 A rating,
- fixed L + N + PE polarity,
- the various models make it possible to balance 3-phase distribution systems.

The colour of the lock and the casing enable remote identification of the polarity.

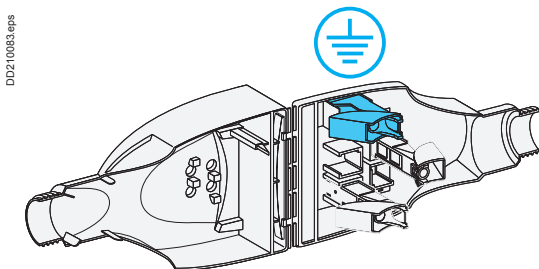
- 1 Live-conductor contacts.
- 2 Protective-conductor contact.
- 3 Lock.

### Two-pole 10 A tap-off unit with phase selection

- The two contact studs are movable and can be used to set up both L + N + PE and 2L + PE distribution.
- Supplied complete with a cable gland.

### 10 A KBC-10DCB20 tap-off unit, 2-pole + PE, to be wired

- To be wired for connection of luminaires using a cable of specific type, size or length.
- Fast connection for 3 x 0.75 to 1.5 mm<sup>2</sup> cable. If prefabricated leads are used, the line must have 16 A protection (see possibilities of dispensing with protection in the simplified design guide for lighting distribution, in the section on protection against overloads).

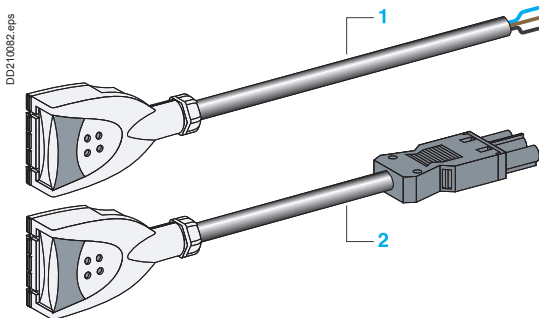


### 10 A KBC tap-off unit, 2-pole + PE, pre-wired

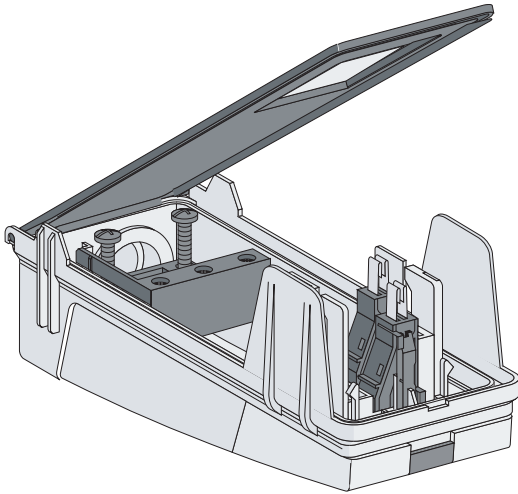
Two pre-wired versions are available:

- 1 pre-wired with SO5Z1Z1-F 3 x 1.5 mm<sup>2</sup> cable, 1 m long, pre-stripped on luminaire end,
- 2 for KDP, pre-wired with SO5Z1Z1-F 3 x 1.5 mm<sup>2</sup> cable, 1 m long and equipped with a female GST18i3 connector on the luminaire end (see prefabricated leads). In this case, the lead is IP40.

If prefabricated leads are used, the line must have 16 A protection (see possibilities of dispensing with protection in the simplified design guide for lighting distribution, in the section on protection against overloads).



DD205723.eps



### 16 A KBC 16DCB/DCF21 tap-off unit with phase selection

For connection of luminaires using a cable of specific type, size and length.

- Two-pole: L + N + PE (1 mobile stud, fixed neutral) or 2L + PE (2 mobile studs).
- Installation is facilitated by the side guides.
- Supplied with a cable bushing. Terminal connections for 0.75 to 1.5 mm<sup>2</sup> cable.

### KBC 16DCB tap-off unit with terminals, direct connection (no protection)

For direct connection (no protection) of luminaires using a specific cable. Can be equipped with the accessory to tap-off the remote-control circuit to the luminaires.

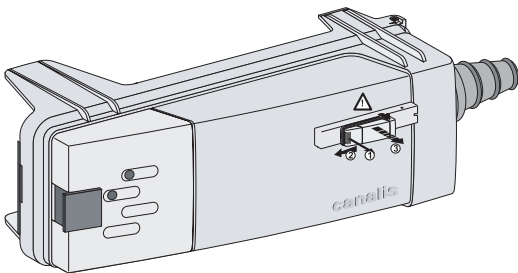
### KBC 16DCF tap-off unit, with fuses

For protection of each luminaire.

Fuse carrier on the phase (1 or 2 carriers depending on the model).

For cylindrical fuse NF 8.5 x 31.5 (not supplied), 16 A gG maximum, breaking capacity 20 kA.

DD205724.eps

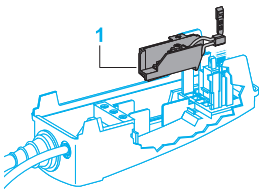


### 16 A L + N + PE tap-off unit with preselected polarity KBC 16DCB/DCF●●6

For tap-off and individual protection of luminaires assigned to two independent circuits of 4-conductor KBB trunking.

Identical in design to the tap-off units on the opposite page, but with factory-set polarity.

DD205725.eps



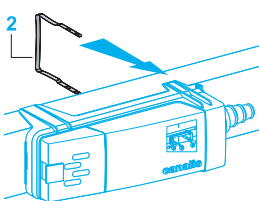
## Accessories

### Specific to KBC 16DCF tap-off units

#### 1 Additional remote-control contact block

- For tap-off of the remote-control circuit to the luminaire (KBA and KBB lines with T option).
- Clips onto KBC 16DCB or CF (except KBC 16DCF22) tap-off units.
- Terminals for data cable, max. size 2 X 0.75 mm<sup>2</sup>.
- Supplied with cable bushing.

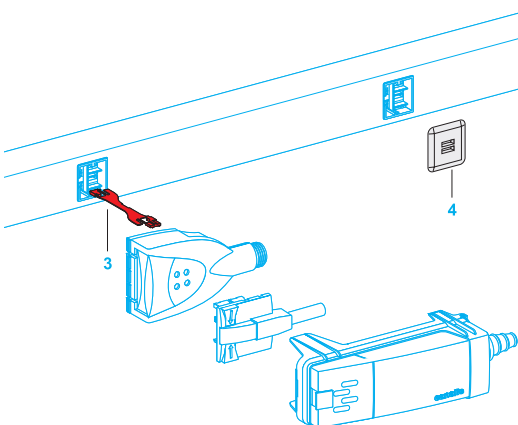
DD205726.eps



#### 2 Rear support bracket

Additional fixing of KBC 16 tap-off units using the rear support bracket may be necessary, notably if there is a risk of accidental pulling on the cable or if the cable is very heavy (great length).

DD210192.eps



### Other accessories

#### 3 Interlocking device

For all 10 A and 16 A tap-off units.

A set of three interlocking devices in different colours can be used to mechanically lock out tap-off units when two or three different distribution networks are present (load, voltage, frequency, etc.).

- An interlocking device is made up of a handle and an interlocking device on each end. It can be used for a tap-off outlet and the corresponding tap-off unit.
- Labels can be placed on the tap-off units and the trunking for remote identification.

#### 4 Outlet blanking plate

Spare part intended to restore IP55 on a tap-off outlet following removal of the tap-off unit (if original blanking plate is lost).

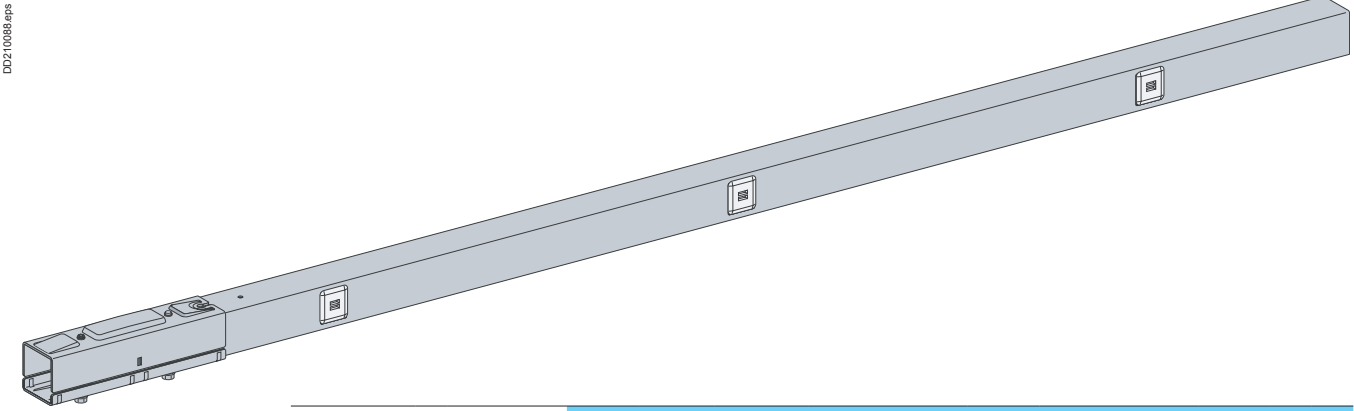
Catalogue numbers  
Dimensions

IP55  
U<sub>e</sub> = 230...400 V  
RAL 9003 white

# Canalis KBB, 25 and 40 A, 1 circuit

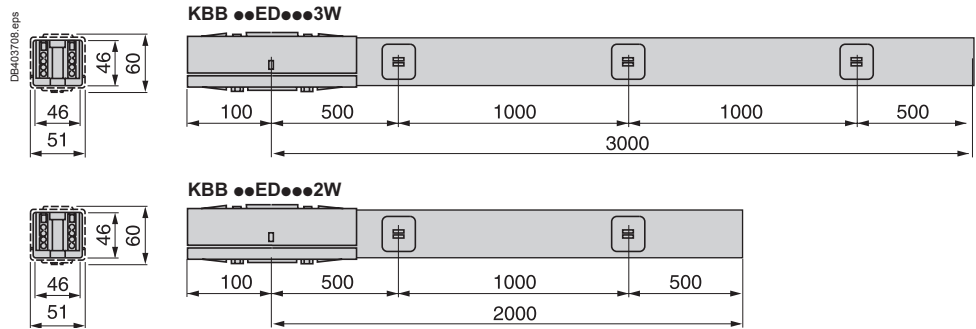
Busbar trunking for lighting and power socket distribution  
Optional remote-control circuit (code T)  
Optional isolated earth (code E)

## Straight lengths, one circuit

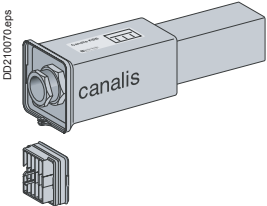


KBB ●●ED●●●W

Type of busbar trunking	Length (m)	Number of tap-offs	Order multiples of (2)	25 A rating Cat. no.	Weight (kg)	40 A rating Cat. no.	Weight (kg)	Option (1) T	Option (1) E	
Standard straight length L + N + PE		3	0	6	KBB 25ED2300W	2.400	KBB 40ED2300W	2.700	-	-
		3	3	6	KBB 25ED2303W	2.400	KBB 40ED2303W	2.700	■	■
		2	2	6	KBB 40ED2202W	1.700	KBB 40ED2202W	1.700	■	■
Standard straight length 3L + N + PE		3	0	6	KBB 25ED4300W	2.600	KBB 40ED4300W	3.100	-	-
		3	3	6	KBB 25ED4303W	2.600	KBB 40ED4303W	3.100	■	■
		2	2	6	KBB 40ED4202W	1.900	KBB 40ED4202W	1.900	■	■
Empty length	2	0	6	KBB 40EDA20W	1.600	KBB 40EDA20W	1.600	-	-	

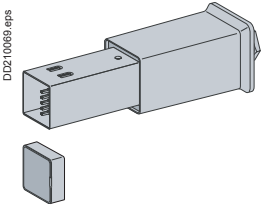


## Feed units (supplied with end cover)

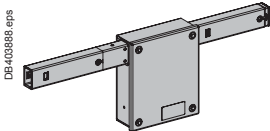


KBB 40ABG4W

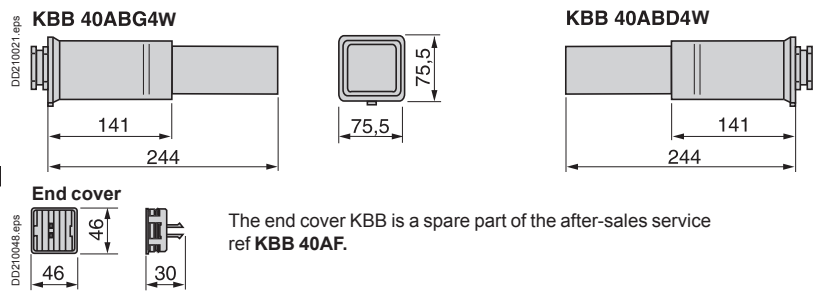
Designation	Mounting	Cable connection		Cat. no.	Weight (kg)	Option (1)	
		Terminals (mm <sup>2</sup> )	Cable gland Ø maxi (mm)			T	E
Feed unit	Left	10	PG 21, Ø 19	KBB 40ABG4W	0.400	■	■
	Right	10	PG 21, Ø 19	KBB 40ABD4W	0.500	■	■
	Central	10	PG 21, Ø 19	KBB 40ABT4W	0.400	■	■
Additional jointing unit				KBB 40ZJ4W (3)	0.640	-	-



KBB 40ABD4W



KBB 40ABT4W



The end cover KBB is a spare part of the after-sales service ref KBB 40AF.

(1) ■ Option T may be combined. Add T at the catalogue number.  
Example: KBB 40ABG4TW.  
■ Option E may not be combined with options T. Add E to the cat. no.  
Example: KBB 40ABG4WE.  
(2) Quantity may not be split.  
(3) For T or E options, take ref. KBB 40ZJ44TW or KBB 40ZJ44WE.

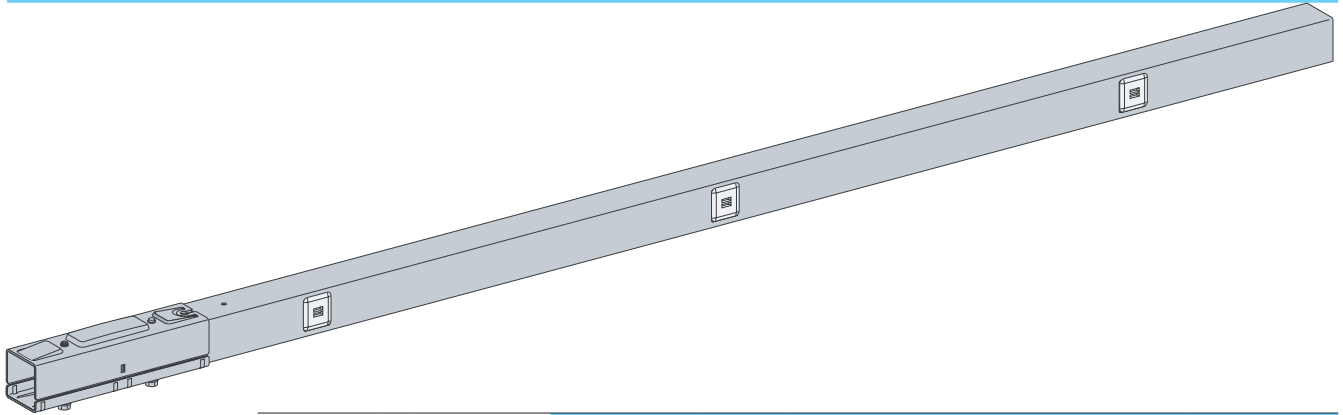
# Canalis KBB, 25 and 40 A, 2 circuits

## Busbar trunking for lighting and power socket distribution

Optional remote-control circuit (code T)  
Optional isolated earth (code E)

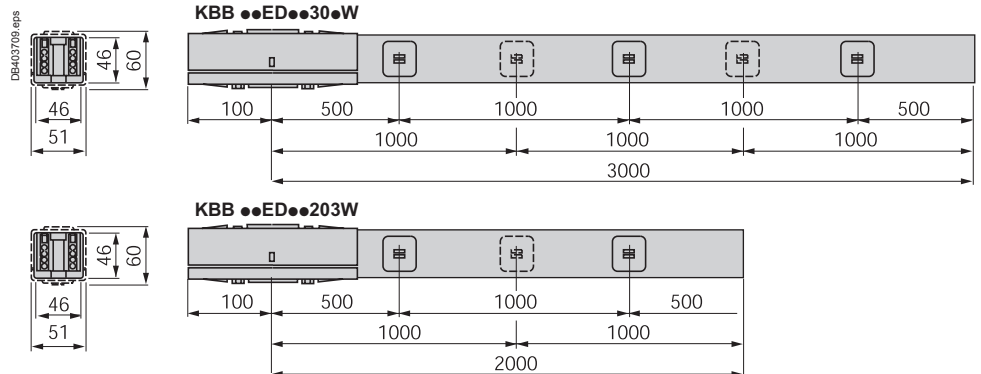
### Straight lengths, two circuits

DD210089.eps



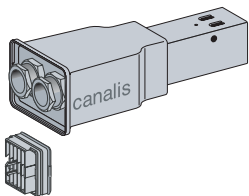
KBB ●●ED●●●●●W

Type of busbar trunking	Length (m)	Number of tap-offs	Order in multiples of (3)	25 A rating Cat. no.	Weight (kg)	40 A rating Cat. no.	Weight (kg)	Option (1)	T	E
Standard straight length		0	6	KBB 25ED22300W	4.600	KBB 40ED22300W	5.200	-	-	-
		3 + 2	6	KBB 25ED22305W	4.600	KBB 40ED22305W	5.200	■	■	-
		2 + 1	6	KBB 40ED22203W	3.600	KBB 40ED22203W	3.600	■	■	-
		0	6	KBB 25ED42300W	4.700	KBB 40ED42300W	5.700	-	-	-
		3 + 2	6	KBB 25ED42305W	4.700	KBB 40ED42305W	5.700	-	-	-
		2 + 1	6	KBB 40ED42203W	3.800	KBB 40ED42203W	3.800	■	■	-
	0	6	KBB 25ED44300W	4.800	KBB 40ED44300W	6.100	-	-	-	
	3 + 2	6	KBB 25ED44305W	4.800	KBB 40ED44305W	6.100	■	■	-	
	2 + 1	6	KBB 40ED44203W	3.800	KBB 40ED44203W	3.800	■	■	-	
Empty length	2	0	6	KBB 40EDA20W	1.600	KBB 40EDA20W	1.600	-	-	-



### Feed units (supplied with end cover)

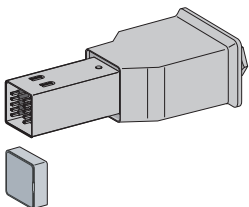
DD210059.eps



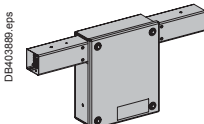
KBB 40ABG44W

Designation	Mounting	Cable connection		Options	Cat. no.	Weight (kg)	Option (1)(2)	
		Terminals (mm <sup>2</sup> )	Cable gland Ø maxi (mm)				T	E
Feed unit	Left / right	6 to 10	PG 21, Ø 19	All	KBB 40ABG44W	0.400	■	■
	Right	6 to 10	PG 21, Ø 19	E	KBB 40ABD44WE	0.500	-	□
				T	KBB 40ABD44TW	0.500	□	-
Central	6 to 10	PG 21, Ø 19	T	KBB 40ABT44W	0.500	□	-	
Additional jointing unit					KBB 40ZJ44W	0.640	■	■

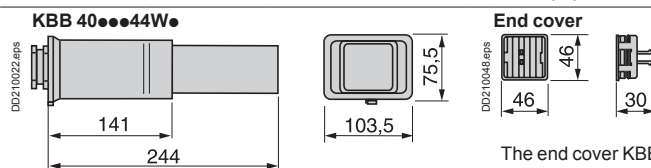
DD210058.eps



KBB 40ABD44●W



KBB 40ABT44W



The end cover KBB is a spare part of the after-sales service ref KBB 40AF

(1) ■ Option T may be combined. Add T at the catalogue number.

Example: KBB 40ABG4TW.

■ Option E may not be combined with option T.

Example: KBB 40ABG4WE.

(2) □ Cat. no. for which the option is automatically included.

(3) Quantity may not be split.

# Canalis KBB, 25 and 40 A

Busbar trunking for lighting and

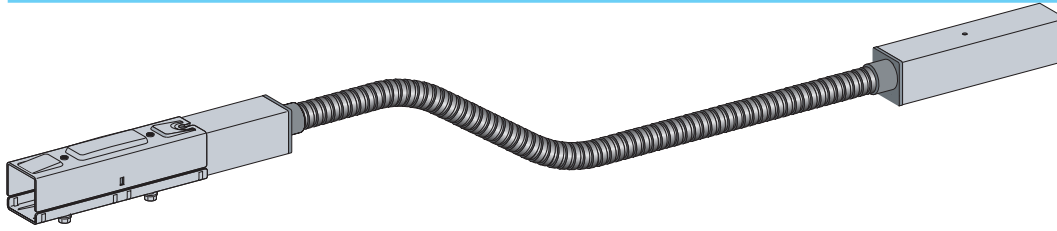
power socket distribution

Optional remote-control circuit (code T)

Optional isolated earth (code E)

## Flexible lengths

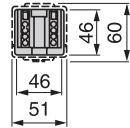
DD205775.eps



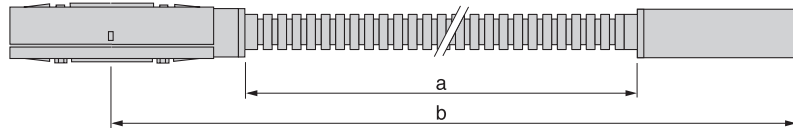
KBB 40DF4●●●W

Designation	Mounting	For trunking	Length (m)	Cat. no.	Weight (kg)	Option <sup>(1)</sup>	
						T	E
Flexible lengths	For elbows, changing levels, detours around obstacles, etc.		0.5	KBB 40DF405W	0.800	■	■
			2	KBB 40DF420W	1.900	■	■
			0.5	KBB 40DF4405W	0.800	■	■
			2	KBB 40DF4420W	1.900	■	■

DB403835.eps



KBB 40DF4●●●W

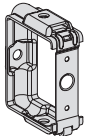


Length (mm)	KBB 40DF4●●5W	KBB 40DF4●●0W
a	153	1653
b	500	2000

(1) ■ Option T may be combined. Add T at the catalogue number.  
 Example: **KBB 40AA4TW**.  
 ■ Option E may not be combined with options T.  
 Example: **KBB 40AA4WE**.

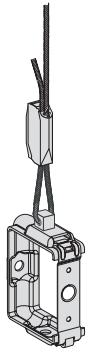
## Fixing systems

DD202178.eps



KBB 40ZFU

DB403454.eps



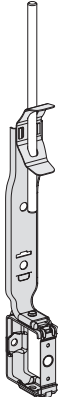
KBB 40ZFSU

DD210110.eps



KBB 40ZFC

DD202211.eps

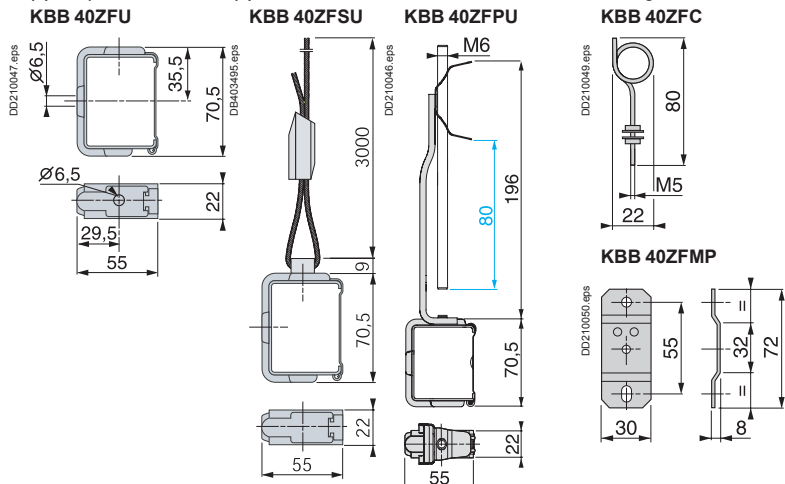


KBB 40ZFPFU

### Busbar-trunking fixings

Designation	Mounting	Maximum load (kg)	Order in multiples of	Cat. no.	Weight (kg)
Universal fixing bracket <sup>(1)</sup>	Suspended on threaded rod or lateral (except wall)	60	10	KBB 40ZFU	0.050
Cable suspension system	Universal fixing bracket with steel cable	60	10	KBB 40ZFSU	0.105
	Universal fixing bracket for steel cable	60	10	KBB 40ZFSL	0.035
	Cable alone, 3 m long	60	10	KBB 40ZFS23	0.070
Spring fixing bracket <sup>(2)</sup>	Adjustable suspension for threaded rod, Ø M6	50	10	KBB 40ZFPFU	0.160
Pigtail hook	For suspension by a chain	60	10	KBB 40ZFC	0.020
Raiser	For mounting on wall or false floor	60	10	KBB 40ZFMP	0.040

(1) W option available. (2) Maximum recommended distance between fixings: 5 meters.





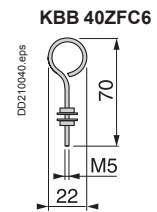
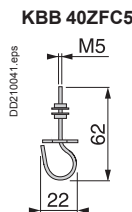
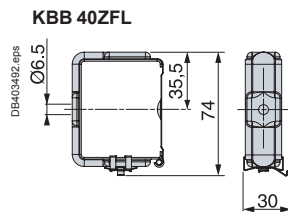
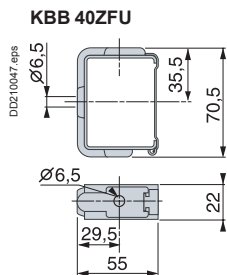
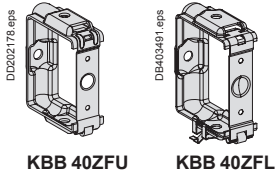
## Optional white lacquered metal enclosure (code W)

### Fixing system (cont.)

#### Luminaire fixings

Designation	Mounting	Maximum load (kg)	Order in multiples of	Cat. no.	Weight (kg)
<b>Fixing bracket for KBL luminaire onto KBB</b>	For direct suspension of luminaires KBL IP 20 on KBB	45	12	<b>KBB 40ZFL</b>	0.055
<b>Universal fixing bracket <sup>(1)</sup></b>	For direct suspension under 60 trunking	60	10	<b>KBB 40ZFU</b>	0.050
<b>Open hook</b>	To suspend the luminaire	45	10	<b>KBB 40ZFC5</b>	0.050
<b>Ring</b>	Mounted on the luminaire	45	10	<b>KBB 40ZFC6</b>	0.050

(1) ■ Option: Add **W** to cat. no. Example **KBB 40ZFU**.  
 (2) ■ For suspension of luminaire KBL IP55 on KBB, please order two universal brackets **KBB 40ZFU** to be screwed on anchoring clips, instead of the two brackets delivered in kit form, with the luminaire.

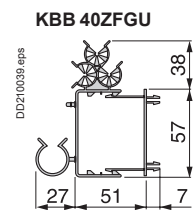
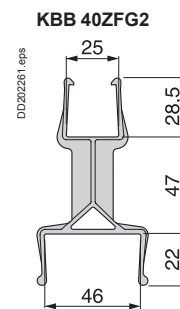
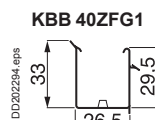
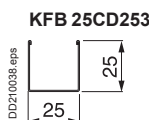
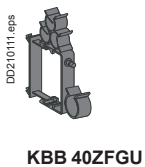
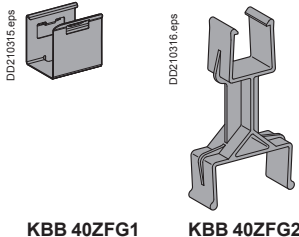
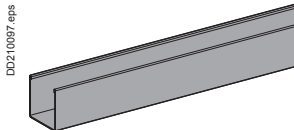


### Accessories

#### Cable duct, support

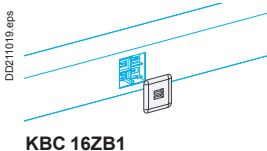
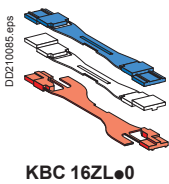
Designation	Function	Order in multiples of	Cat. no.	Weight (kg)
<b>Cable duct</b>	Width 25 mm, length 3 m	6	<b>KFB 25CD253</b>	1.115
<b>Cable brackets</b>	Cable duct support to be mounted on a spring fixing bracket <sup>(1)</sup>	10	<b>KBB 40ZFG1</b>	0.100
	Cable duct support + intermediate support <sup>(2)</sup>	10	<b>KBB 40ZFG2</b>	0.200
	For adjacent circuits	20	<b>KBB 40ZFGU</b>	0.005

(1) *Maximum recommended distance between fixings: 2 meters.*  
 (2) *Maximum recommended distance between fixings: 3 meters.*



#### Other accessories

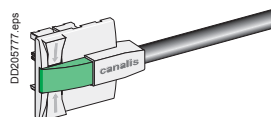
Designation	Function	Colour	Order in multiples of	Cat. no.	Weight (kg)
<b>Outlet/tap-off unit interlocking device (2 parts)</b>	Identification and mechanical interlocking between 1 to 3 different circuits	Blue White Red	20 20 20	<b>KBC 16ZL10</b> <b>KBC 16ZL20</b> <b>KBC 16ZL30</b>	0.002 0.002 0.002
<b>Blanking plate</b>	Restore IP55 on tap-off outlet if original blanking plate is lost		10	<b>KBC 16ZB1</b>	0.005
<b>Cutting pliers</b>	To cut steel cable used for cable suspension system		1	<b>KBB 40ZFS</b>	0.300



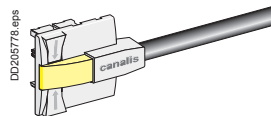
# Canalis KDP, KBA and KBB tap-off units

For lighting and power socket distribution

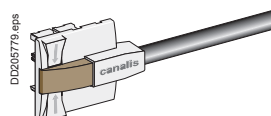
## 10 A tap-off unit, direct connection



KBC 10DCS101



KBC 10DCS201



KBC 10DCS301

Type of busbar trunking

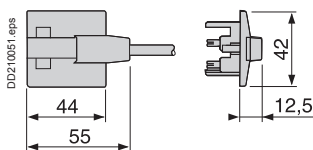


Single-circuit switching      Balancing on 3 phases or 3-circuit switching

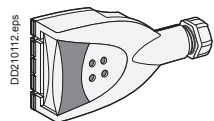
## 10 A tap-off unit, L + N + PE, with fixed polarity, pre-wired SO5Z1Z1-F 3 x 1.5 mm<sup>2</sup>, 0.8 m long

Polarity	Colour of lock	Order in multiples of	Cat. no.	Weight (kg)
L1 + N	Green	10	KBC 10DCS101	0.100
L2 + N	Yellow	10	KBC 10DCS201	0.100
L3 + N	Brown	10	KBC 10DCS301	0.100

KBC 10CS●01



## 10 A tap-off unit, L + L + PE or L + N + PE, with phase selection



KBC 10DCB20

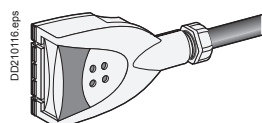
Type of busbar trunking



All types possible

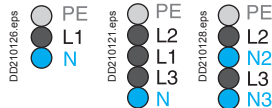
Polarity	Order in multiples of	Cat. no.	Weight (kg)
L1 + N or L2 + N or L3 + N L1 + L2 or L1 + L3 or L2 + L3 L2 + N2 or L3 + N3	10	KBC 10DCB20	0.065

## 10 A tap-off unit, L + L + PE or L + N + PE, with phase selection, pre-wired SO5Z1Z1-F 3 x 1.5 mm<sup>2</sup>, 1 m long



KBC 10DCC21●

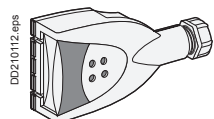
Type of busbar trunking



All types possible

Polarity	Pre-equipped with female GST18i3 connector	Order in multiples of	Cat. no.	Weight (kg)
L1 + N or L2 + N or L3 + N L1 + L2 or L1 + L3 or L2 + L3 L2 + N2 or L3 + N3	No	10	KBC 10DCC211	0.165
	Yes <sup>(1)</sup>	10	KBC 10DCC21Z	0.165

## 10 A tap-off unit, 3L + N + PE



KBC 10DCB40

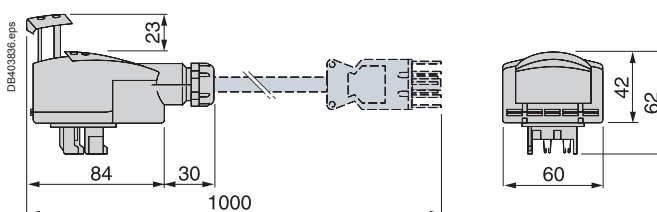
Type of busbar trunking



All types possible

Polarity	Order in multiples of	Cat. no.	Weight (kg)
To be defined for each application (dimmer, emergency lighting, etc.)	10	KBC 10DCB40	0.065

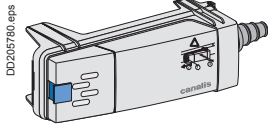
KBC 10DCB20, KBC 10DCC21●, KBC 10DCB40



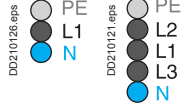
(1) For IP, see KDP, KBA and KBB Tap-off units description page 122.

## 16 A single-phase tap-off unit, with or without fuses

### 16 A tap-off unit, L + N + PE, with phase selection



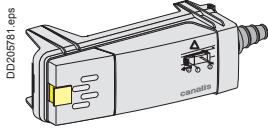
KBC 16DCB2●



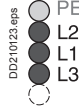
Single-circuit switching  
Balancing on 3 phases or 3-circuit switching

Type of busbar trunking	Polarity	Protection	Scheme	Colour of lock	Order in multiples of	Cat. no.	Weight (kg)
L1 + N or L2 + N or L3 + N		None	DD210151.eps	Blue	10	KBC 16DCB21	0.090
		Cylindrical fuse NF 8.5 x 31.5 16 A gG maximum (not supplied)	DD210153.eps	Blue	10	KBC 16DCF21	0.090

### 16 A tap-off unit, L + L + PE, with phase selection



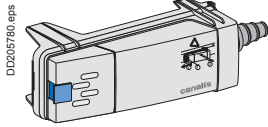
KBC 16DC●22



Balancing on 3 phases without neutral

Type of busbar trunking	Polarity	Protection	Scheme	Colour of lock	Order in multiples of	Cat. no.	Weight (kg)
L1 + L2 or L1 + L3 or L2 + L3		None	DD210145.eps	Yellow	10	KBC 16DCB22	0.090
		Cylindrical fuse NF 8.5 x 31.5 16 A gG maximum (not supplied)	DD210146.eps	Yellow	10	KBC 16DCF22	0.090

### 16 A tap-off unit, L + N + PE, with preselected polarity



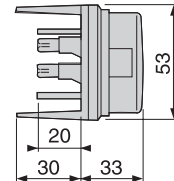
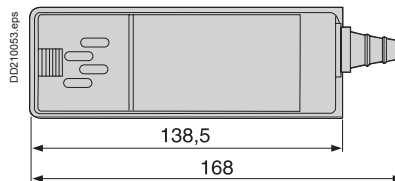
KBC 16DC●2●●6



2 single-phase circuits

Type of busbar trunking	Polarity	Protection	Scheme	Colour of lock	Order in multiples of	Cat. no.	Weight (kg)
L2 + N2		None	DD210147.eps	Blue	10	KBC 16DCB226	0.090
		Cylindrical fuse NF 8.5 x 31.5 16 A gG maximum (not supplied)	DD210148.eps	Blue	10	KBC 16DCF226	0.090
L3 + N3		None	DD210149.eps	Blue	10	KBC 16DCB216	0.090
		Cylindrical fuse NF 8.5 x 31.5 16 A gG maximum (not supplied)	DD210150.eps	Blue	10	KBC 16DCF216	0.090

KBC 16DCB2●●, KBC 16DCF2●●



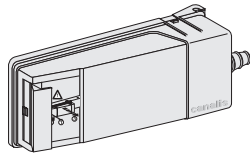
# Canalis KDP, KBA and KBB tap-off units

For lighting and power socket distribution

## 16 A three-phase tap-off unit, with or without fuses

### 16 A tap-off unit, 3L + N + PE

DD210119.eps



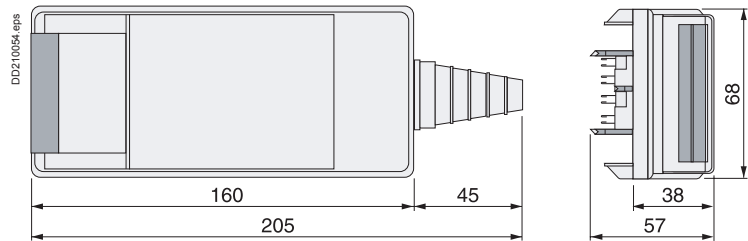
KBC 16DC40



All types possible

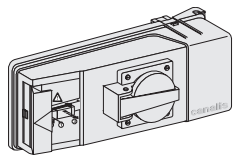
Type of busbar trunking	Polarity	Protection	Scheme	Cat. no.	Weight (kg)
	3L + N	None	DD210144.eps 	KBC 16DCB40	0.090
		Cylindrical fuse NF 8.5 x 31.5 12 AgG maximum (not supplied)	DD210143.eps 	KBC 16DCF40	0.090

KBC 16DC40



### 16 A tap-off unit, 3L + N + PE, with power socket

DD210120.eps

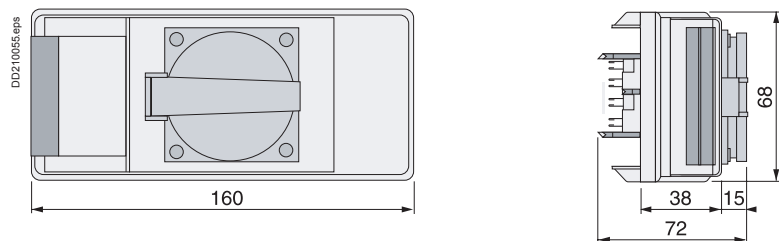


KBC 16DCP



Type of busbar trunking	Polarity	Type of power socket	Protection	Scheme	Cat. no.	Weight (kg)
	3L + N	NF 2P + E 10/16 A, 250 V	Cylindrical fuse NF 8.5 x 31.5 16 AgG maximum (not supplied)	DD210152.eps 	KBC 16DCP1	0.090
		VDE 2P + E 10/16 A, 250 V	Cylindrical fuse NF 8.5 x 31.5 16 AgG maximum (not supplied)	DD210152.eps 	KBC 16DCP2	0.090

KBC 16DCP



## 10 A single-phase tap-off unit for lighting control

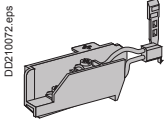
For KDP description, see page 66. For KDP catalogue numbers and dimensions, see page 73.

# Canalis KBA and KBB tap-off units

For lighting and power socket distribution

IP55  
 $U_e = 230...400\text{ V}$

## Accessories for KBA and KBB tap-off units



KBC 16ZT1



KBC 16ZC1

Designation	Function	Order in multiples of	Cat. no.	Weight (kg)
<b>Bus connection device</b>	For 16 A single-phase or three-phase tap-off units to tap off the remote control circuit of the trunking to the remote receiver	10	<b>KBC 16ZT1</b>	0.010
<b>Rear support bracket</b>	For securing 16 A single-phase tap-off units to the trunking	10	<b>KBC 16ZC1</b>	0.020



# Installation

IP55

Ue = 230...400 V

RAL 9003 white

# Canalis KBB, 25 and 40 A

## Busbar trunking for lighting and power socket distribution

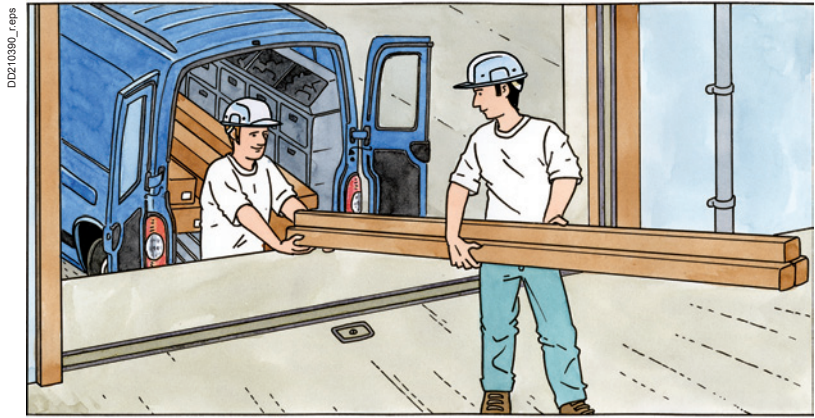
### Installation scenario

#### Installation of a line

Unload and carry the products inside to an area where no work is going on.

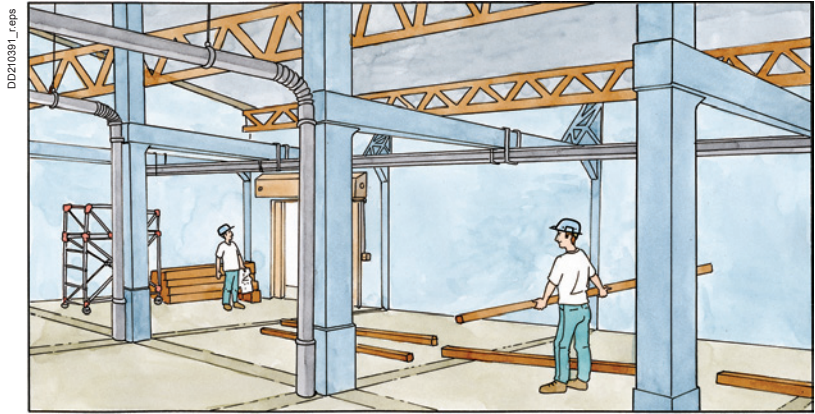
**Do not store the busbar trunking outdoors.**

Take care not to knock or drag the busbar trunking on the ground. That could damage the ends and render connections impossible.



Unpack and layout on the floor the trunking components required to mount the first line.

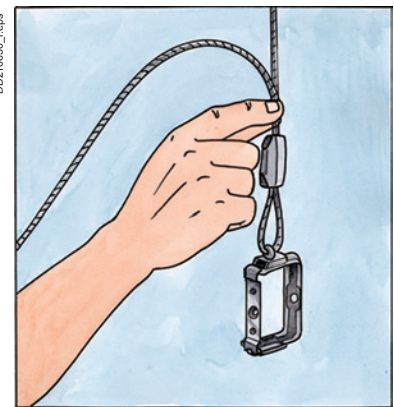
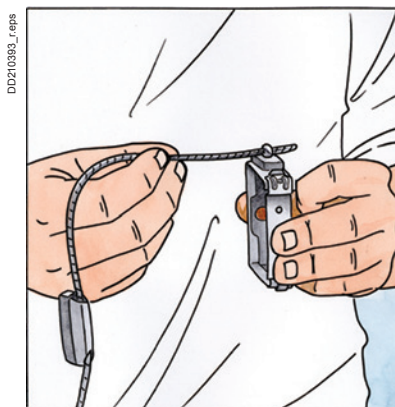
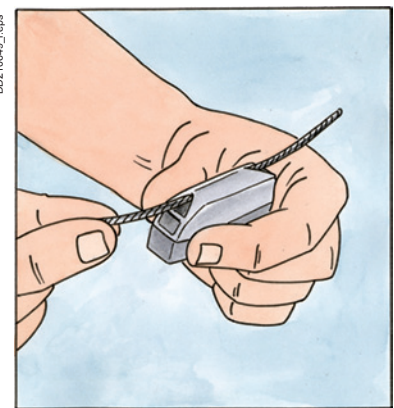
Check the position of the feed unit. It must be as close as possible to the switchboard.



#### Preparation of fixings

Install the suspension cable around the I-beam and mount the adjustment fixture on the KBB bracket.

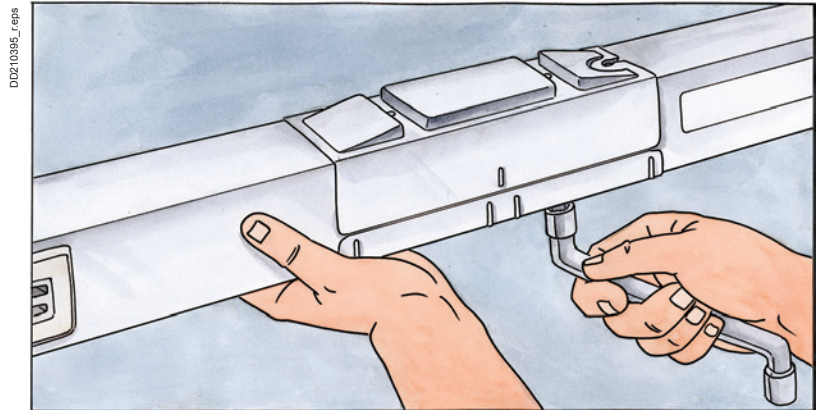
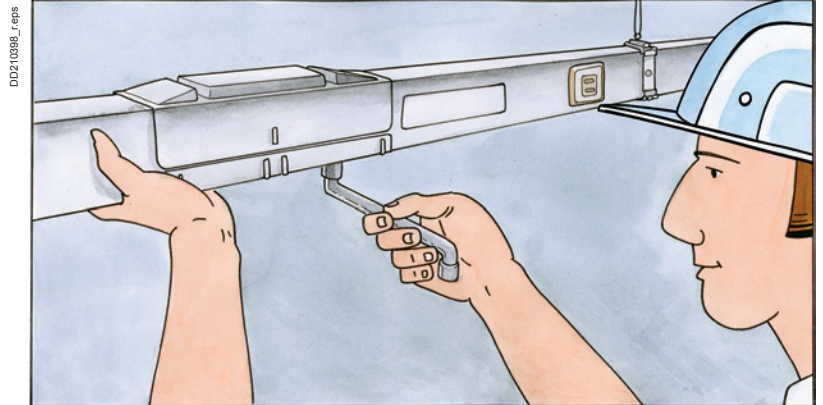
In this catalogue, you will find a number of fixings suited to different building structures. You will also find a range of accessories to support all the cables associated with your installation.





### Preparation of a line segment on the floor

Assemble two or three lengths (clip together) and lock with the joint screw.

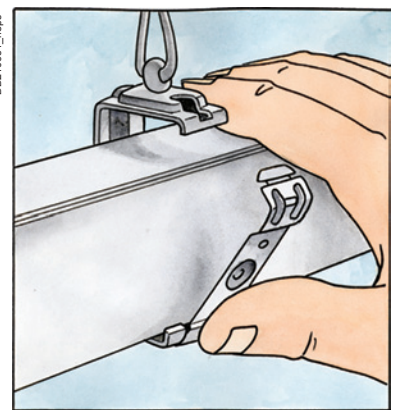
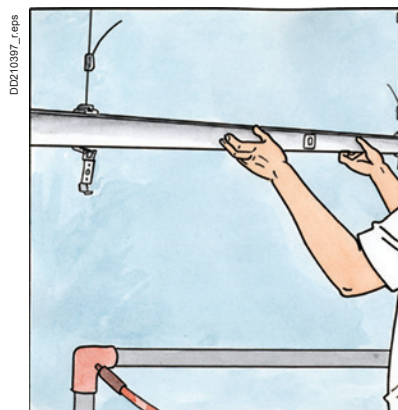
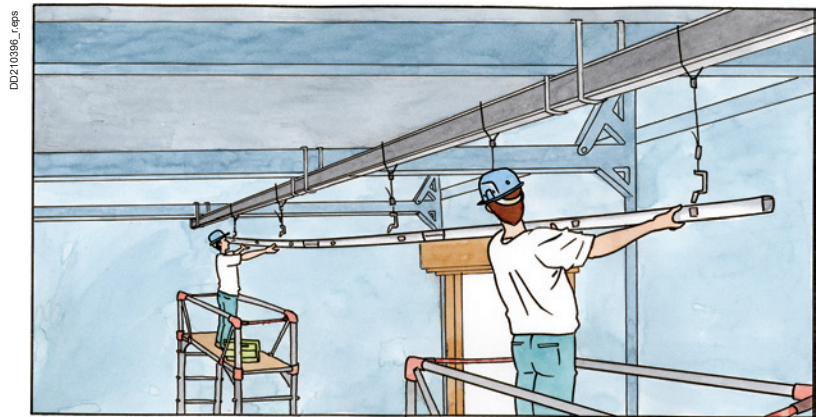


Lift and position the line segment in the fixing brackets.

They are designed to immediately relieve the installer of the weight. The busbar trunking is held in place as soon as the KBB lengths are positioned in the brackets.

The brackets lock when clipped closed.

To unlock the brackets, use 3 mm flat screwdriver.



## Installation

IP55

Ue = 230...400 V

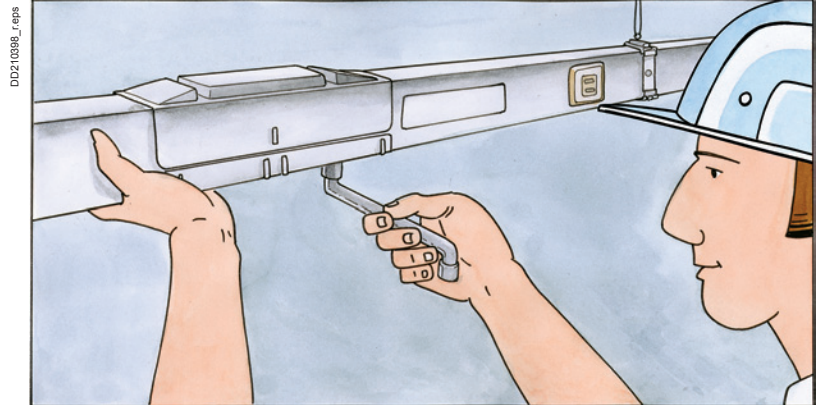
RAL 9003 white

# Canalis KBB, 25 and 40 A

## Busbar trunking for lighting and power socket distribution

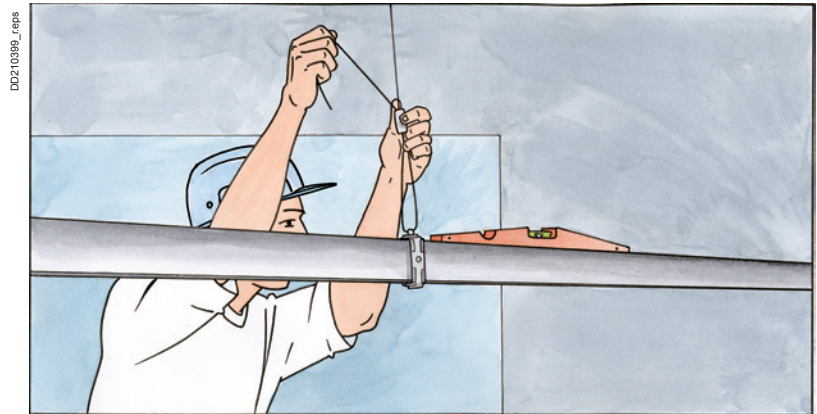
### Installation scenario

The following segments can be mounted effortlessly, due to the ease of assembling the mechanical and electrical connections.



### Adjusting the level of the KBB line

The suspension system using a steel cable makes for easy and fast adjustments.



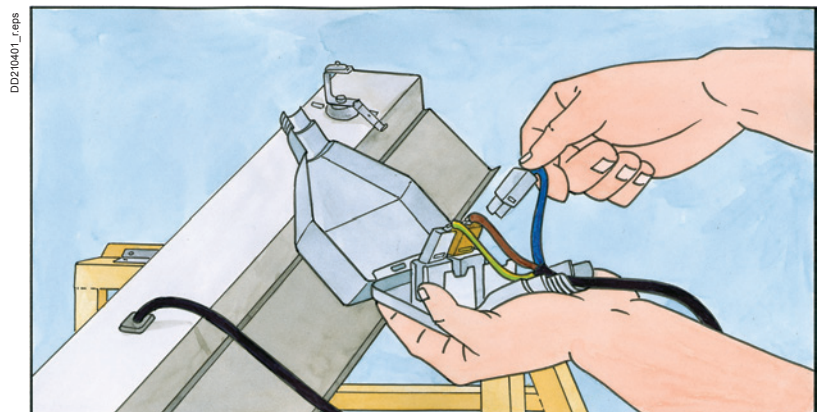
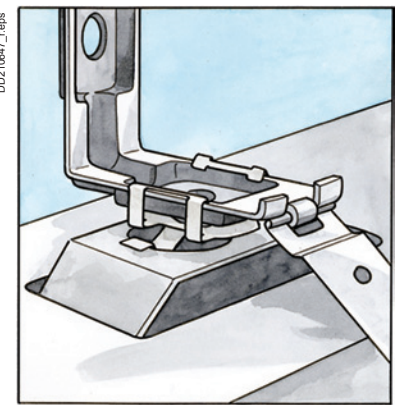
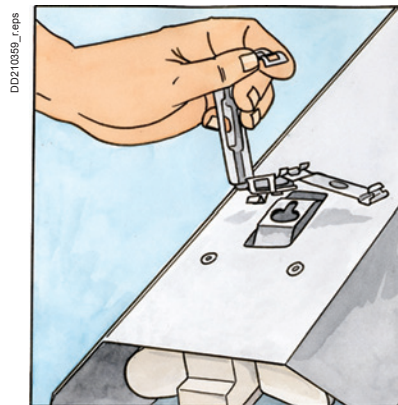
## Tap-off connections

### Prepare the luminaires

Connection of the tap-off units to the luminaires, phase selection and mounting of the fixings **are carried out on the ground**.

These operations can also be carried out in the workshop, before delivery to the site.

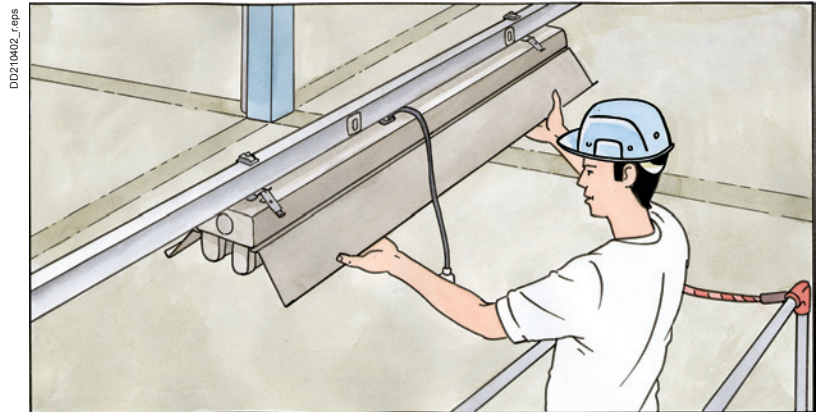
In this catalogue, you will find ready-to-use luminaires. They are supplied prewired, equipped with a tap-off unit with phase-selection.





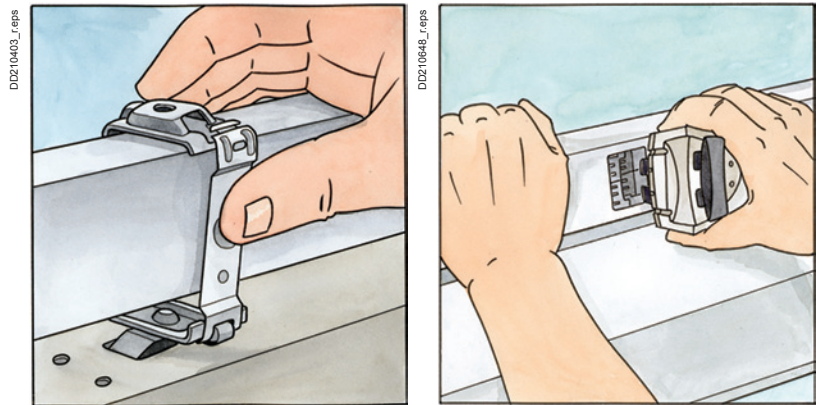
### Mounting the luminaires on the trunking

Once again, the fixing brackets are designed to immediately relieve the installer of the weight. The luminaire is held in place as soon as the bracket is placed on the trunking.



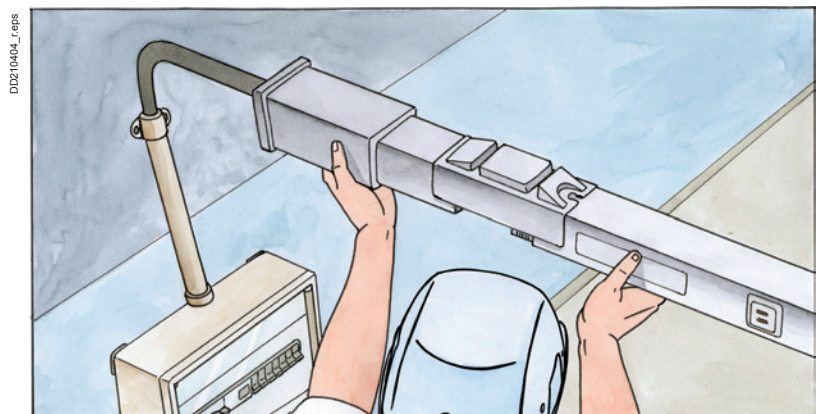
The brackets lock when clipped closed.

Connect the tap-off unit to the trunking

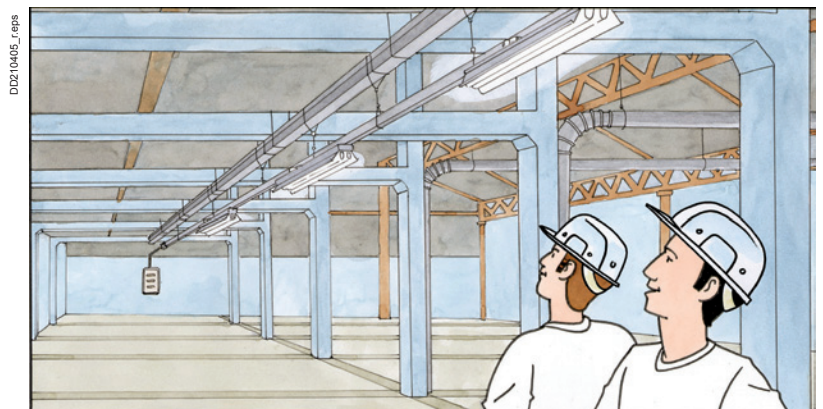


### Connect the feed unit and energise

Last installation step.  
Connect the supply cable to the Canalis KBB feed unit,  
then to the switchboard.



Energise the system to check operation.



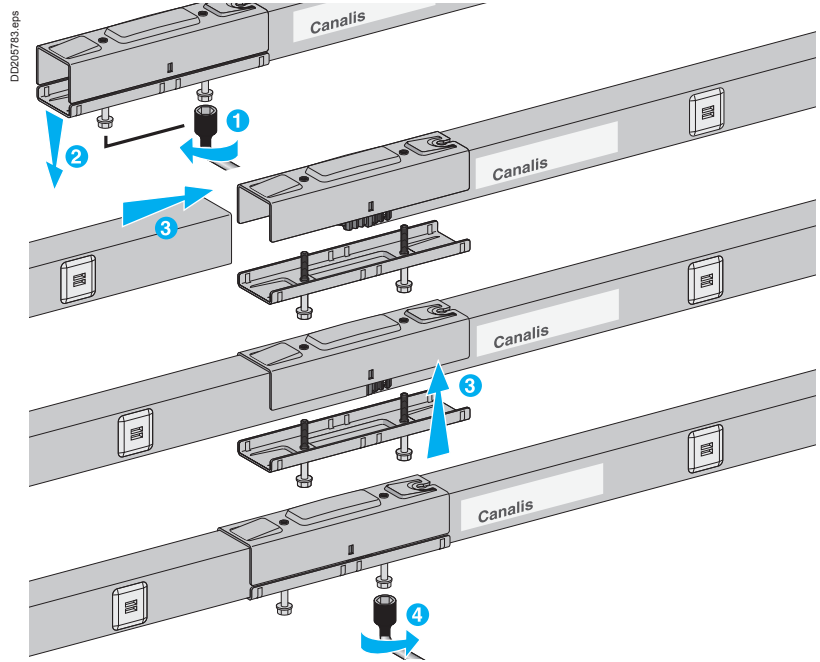
# Installation

IP55  
Ue = 230...400 V  
RAL 9003 white

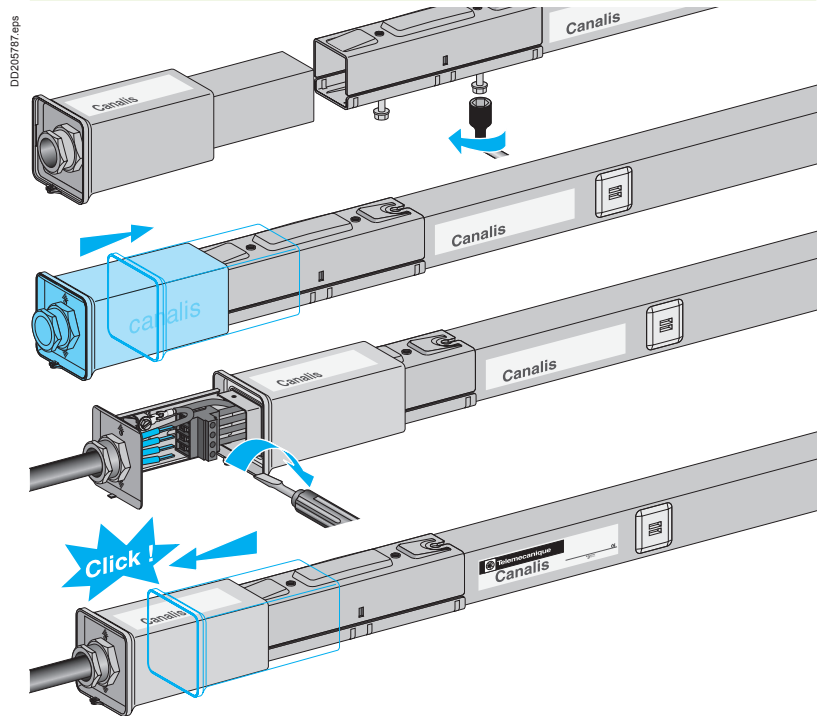
# Canalis KBB, 25 and 40 A

Busbar trunking for lighting and power socket distribution  
Assembly of trunking components

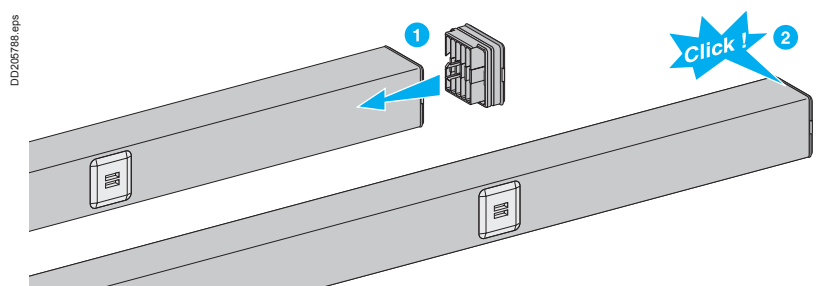
## Assembling the straight lengths



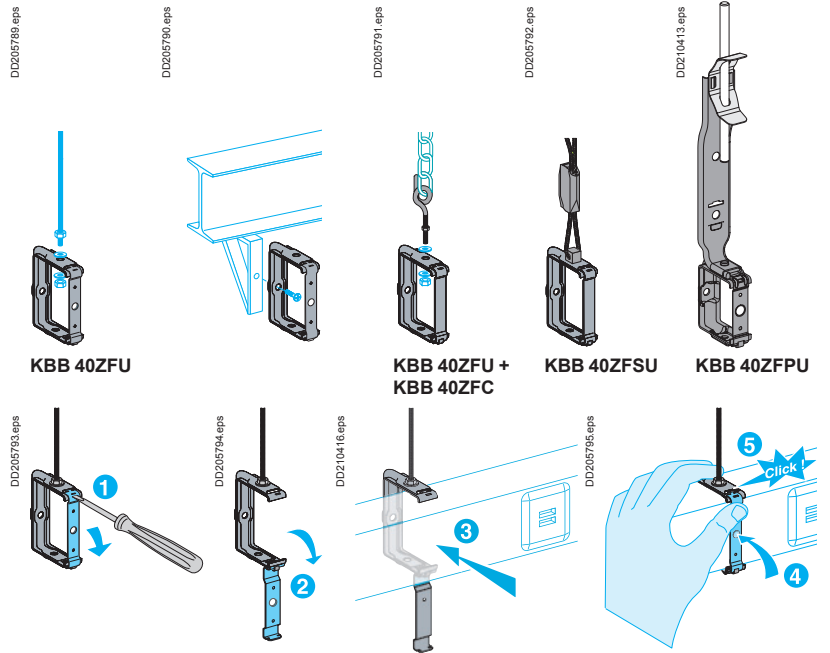
## Connecting the feed-unit



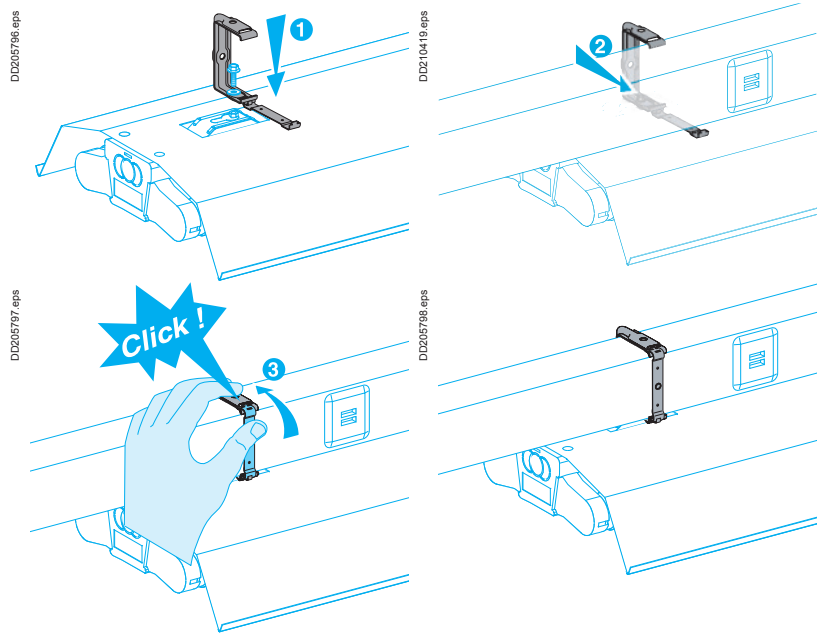
## Assembling the end cover



## Fixing Canalis KBB in the brackets



## Mounting the luminaires on the trunking



## Connecting the luminaires

